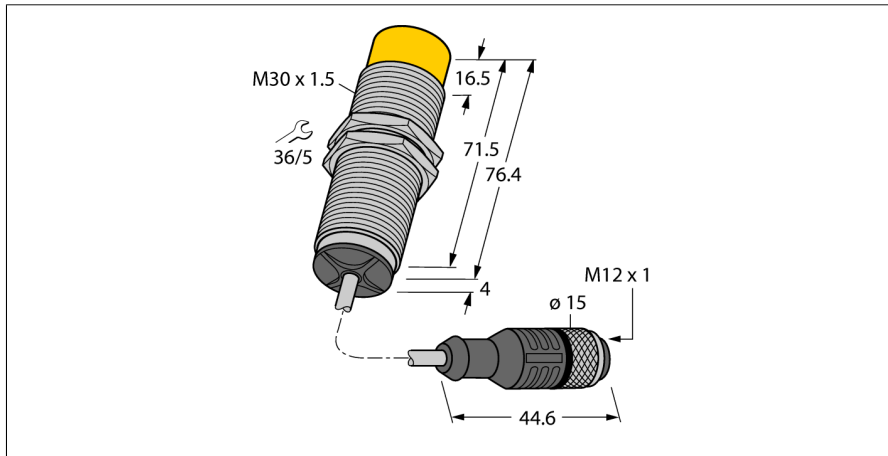
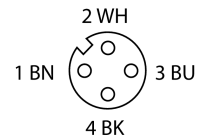
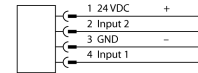


Inductive coupler
Secondary side
NICS-M30-IOL2P8-0.3-RKC4.4T



- Threaded barrel, M30 x 1.5
- Chrome-plated brass
- DC 4-wire, 24 VDC
- 2 x PNP input
- Pigtail with female end M12 x 1
- IO-Link transmission



Type designation	NICS-M30-IOL2P8-0.3-RKC4.4T
Ident no.	4300301
max. transmission distance	7 mm
max. offset	5 mm
Maximum Angular Misalignment	15 °
Mounting conditions	Non-flush
Ambient temperature	-20...+55 °C
DC rated operational current	≤ 500 mA
Short-circuit protection	yes
Nominal transmission capacity	12 W
Maximum standby power coupled	3 W
Maximum standby power not coupled	1 W
Maximaler Ausgangsstrom	2400 mA For 0.1 ms
System readiness delay (power)	160 ms
Input function	4-wire PNP & IO-Link
IO-Link specification	V 1.1.1
Design	Threaded barrel, M30 × 1.5
Dimensions	80.4 mm
Housing material	Metal, CuZn, Chrome-plated
Active area material	Plastic, PA12-GF30
Max. tightening torque of housing nut	40 Nm
Electrical connection	Cable with connector, M12 × 1
Cable quality	Ø 4.7 mm, Lif9YH-11YH, PUR, 0.3 m Halogen-free, flame-retardant acc. to VDE
Core cross-section	4 x 0.34 mm ²
Vibration resistance	55 Hz (1 mm)
Protection class	IP67 IP68
MTTF	1095 years acc. to SN 29500 (Ed. 99) 20 °C

Functional principle

Inductive couplers transmit power and data contactless. With a high-frequency alternating field power is transmitted at a frequency of 200 kHz and data at 2.4 GHz. The powered primary component NIPC feeds the secondary component NICS via the air interface which in turn transmits the sensor signals back to the primary component.

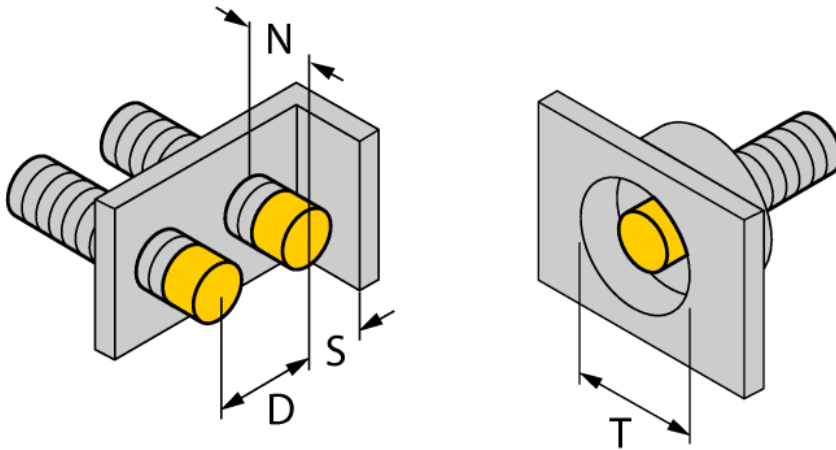
Inductive coupler

Secondary side

NICS-M30-IOL2P8-0.3-RKC4.4T

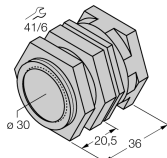
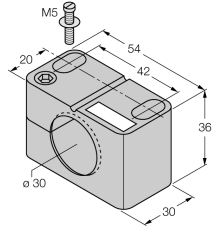
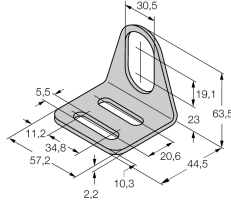
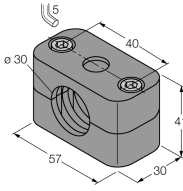
Distance D	60 mm
Distance T	60 mm
Distance S	30 mm
Distance N	26,5 mm

Diameter active area B	Ø 30 mm
------------------------	---------



Inductive coupler
Secondary side
NICS-M30-IOL2P8-0.3-RKC4.4T

Accessories

Type code	Ident no.		Dimension drawing
QM-30	6945103	Quick-mount bracket with dead-stop; material: Chrome-plated brass. Male thread M36 × 1.5. Note: The switching distance of the proximity switches may change when using quick-mount brackets.	
BST-30B	6947216	Mounting clamp for threaded barrel sensors, with dead-stop; material: PA6	
MW-30	6945005	Mounting bracket for threaded barrel sensors; material: Stainless steel A2 1.4301 (AISI 304)	
BSS-30	6901319	Mounting clamp for smooth and threaded barrel sensors; material: Polypropylene	

Function accessories

Type code	Ident no.		Dimension drawing
TBIL-M1-16DIP	6814100	16-channel I/O-hub for the connection of 16 digital PNP inputs to an IO-Link master	