



G003443

Conventional IR Flame Detector

Salwico AC-IR-3Fq

Part no. 5200236-00A

System: Salwico Cargo, Salwico Cruise, Salwico Workboat,
Salwico Yacht, Salwico Navy, OEM Extinguisher

General Description

The AC-IR-3Fq is a triple frequency conventional infrared flame detector produced using the latest in manufacturing technology and supplied with an array of advanced features, making it 'better by design'.

This Detector is using infrared elements is suitable for the detection of smokeless combustible liquid and gas fires, as well as smoke-forming open fire involving carbonaceous materials as contained in wood, plastics, gases, oil products etc.

The evaluation process by triple Infrared (3Fq) sensor protect by a sapphire glass filtering $>6.0 \mu\text{m}$ wavelength radiation: sensor A measures the hot carbon dioxide in a specific flame wavelength; the B and C sensors simultaneously measure the interference radiation in near wavelengths. This technique together with intelligent signal processing through microprocessor and custom algorithms, achieves excellent detection reliability while maintaining the highest immunity to interference radiation and sunlight is achieved.

Features

- Triple Frequency IR Detector
- Low current draw
- Suitable for installation in dump environment
- Easy Maintenance
- Remote LED Option
- Approved to UNI EN54-10 Ed. 2002

Data

Electrical Specifications

Operating Voltage Range	24 VDC
Supply Voltage	8 – 30 VDC
Max Current (Normal)	450 μA

Electrical Specifications


Max Current (Alarm)	700 μA
---------------------	-------------------

Environmental Specifications

Application Temperature Range	-25°C to +75°C
Humidity	Up to 95%

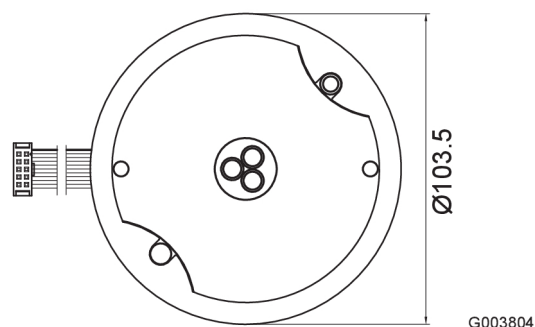
Mechanical Information

Height	69 mm (including base)
Diameter	103 mm
Weight	250 g
Weight with IP65 Base	380 g
Wire Gauge for Terminals	2.5 mm ²
Colour	White RAL9010
Material	Polycarbonate Flame Retarded Cl. UL94V0
IP Rating	IP65 (IP67 with locking screws)

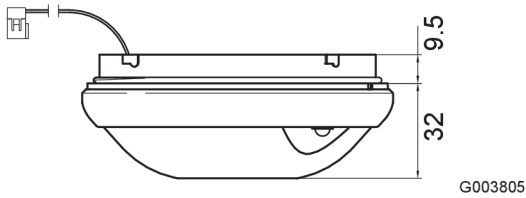
Certified according to  0474/11

Detector Base for installation as Conventional mode
5200235-00A Salwico AC-IR-3Fq Conventional Base

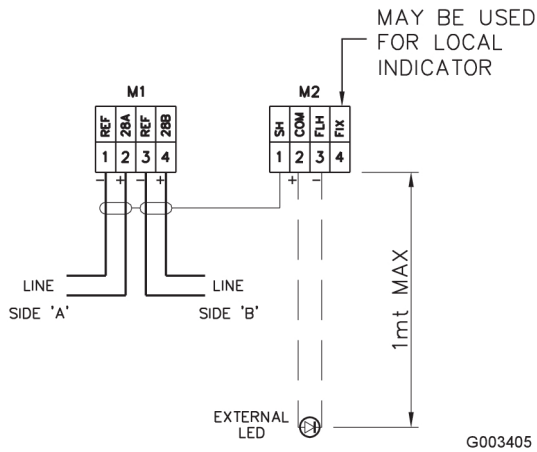
Dimensions (mm)



G003804



Connection



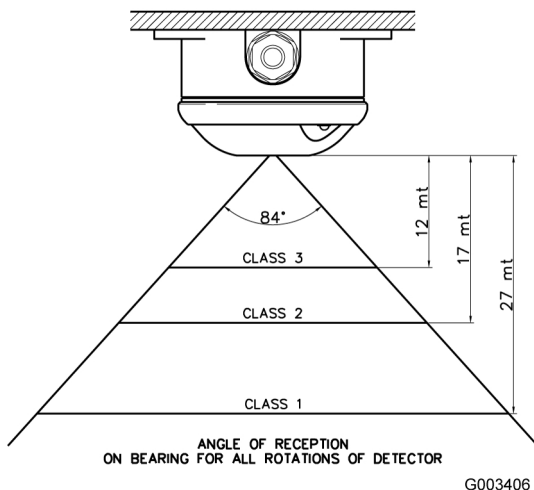
Installation

For featured wiring the detector is installed on a base, provided in IP65 proof version.

The detector is connected to the base through a fast bayonet cluching and a flying connector.

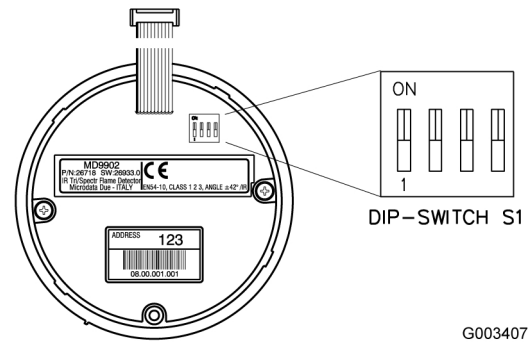
For outdoor mounting: Fit the detector screws on the base to ensure IP67 Protection Index.

Angle of Reception



Settings

S1 Dip-Switch setup



Use the 4-ways Dip-switch S1 to set the detector as Conventional and preset threshold sensitivity (Class):

- Class 1 High Sensitivity (up to 27 m)
- Class 2 Medium Sensitivity (up to 17 m)
- Class 3 Low Sensitivity (up to 12 m)

Table 1. DIP switch function

Switch No.	Function
No. 1	Sensitivity adjustment
No. 2	Sensitivity adjustment
No. 3	Addressable/Conventional
No. 4	Alarm Latched/Not latched

Table 2. DIP switch Class settings for Conventional

Class setting	Switch No.			
	1	2	3	4
Class 1 Conventional	OFF	ON	ON	*
Class 2 Conventional	ON	OFF	ON	
Class 3 Conventional	OFF	OFF	ON	

* Class settings for Conventional with DIP switch No. 4

ON = Alarm latched

OFF = Alarm not latched



NOTE!

In position "ON" the current must be limited to 20 mA.