

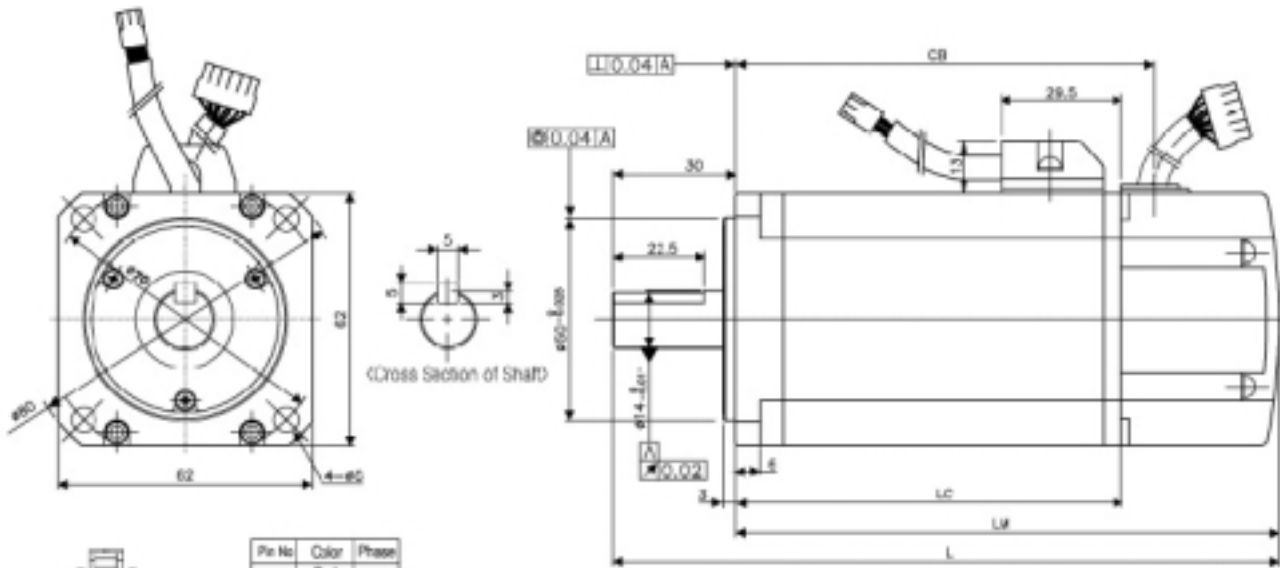
APM SB and SC Series Brushless motor with Copley XSJ Xenus cAmplifier



Features

- Rated speed from 2000rpm to 3000rpm.
- 30W to 1kW operation.
- Commuating Encoder feedback.
- Compact (high torque/volume ratio).
- Brake option available.
- Optimized windings to match Xenus drives for optimum performance and cost.

APM-SB



Pin No	Color	Phase
1	Red	U
2	White	V
3	Black	W
4	Green	Ground

(Connector Pin for Power Supply)



Pin No	Phase	Pin No	Phase
1	A	9	V
2	X	10	U
3	B	11	W
4	D	12	W
5	Z	13	DC +5V
6	Y	14	0V
7	U	15	SHIELD
8	U		

(Encoder Connector Pin)

Model	External Dimension				Weight (kg)
	L	LM	LC	CB	
SB01A	120.5	90.5	52.5	60.5	0.84
SB02A	134.5	104.5	66.5	74.5	1.11
SB04A	162.5	132.5	94.5	102.5	1.84

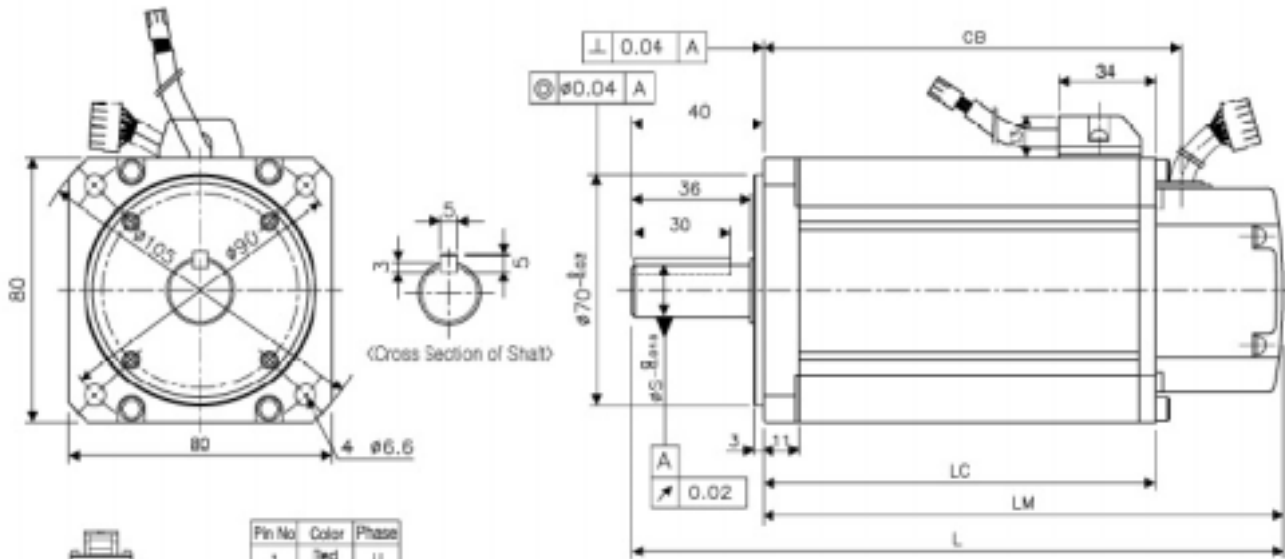


Note1) Use DC 24V for brake input power supply.
 Note2) In case that Abs.2048 P/R Encoder is attached, it becomes longer by 10mm.

Model	Power Watts	Jm Kgc ^m ²	Kt Nm/Arms	Ke V/krpm	R	L mH	Tc Nm	Rated Speed rpm	Maximum rpm
SB01A	100	0116	2.097	13.6	2.5	7.3	0.318	3000	5000
SB02A	200	0.186	4.248	29.2	4.2	15.2	0.637	3000	5000
SB04A	400	0.327	4.693	29.5	1.6	7.3	1.274	3000	5000

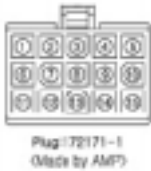
8 pole

APM-SC



Pin No.	Color	Phase
1	Red	U
2	White	V
3	Black	W
4	Green	Ground

(Connector Pin for Power Supply)



Pin No.	Phase	Pin No.	Phase
1	A	9	V
2	X	10	V
3	B	11	W
4	B	12	W
5	Z	13	DC +5V
6	Z	14	0V
7	U	15	3PHOLD
8	U		

(Encoder Connector Pin)

Model	External Dimension					Weight (kg)
	L	LM	LC	CB	S	
SC04A, SC03D	158	118	79	86.5	14	1.85
SC06A, SC05D	178	138	99	106.5	16	2.49
SC08A, SC06D	198	158	110	126.5	16	3.15
SC10A, SC07D	218	178	139	146.5	16	3.80



Note1) Use DC 24V for brake input power supply.
 Note2) In case that Abs.2048 P/R Encoder is attached, it becomes longer by 10mm.

Model	Power Watts	Jm Kgc ^m ²	Kt Nm/Arms	Ke V/krpm	R	L mH	Tc Nm	Rated Speed rpm	Maximum rpm
SC04A	400	0.688	4.79	29.3	2.4	15.2	1.27	3000	5000
SC06A	600	1.114	5.65	35.2	1.4	9.1	1.91	3000	5000
SC08A	800	1.54	5.57	35.6	0.86	5.9	2.55	3000	5000
SC03D	300	0.688	5.863	34.2	3.19	19.6	1.43	2000	3000
SC05D	450	1.14	7.042	43.4	1.9	13.4	2.15	2000	3000
SC06D	550	1.54	7.139	44.6	1.2	9.0	2.63	2000	3000
SC07D	650	1.2	7.31	45.7	1.0	6.9	3.09	2000	3000

8 pole

XSJ Xenus Wiring

