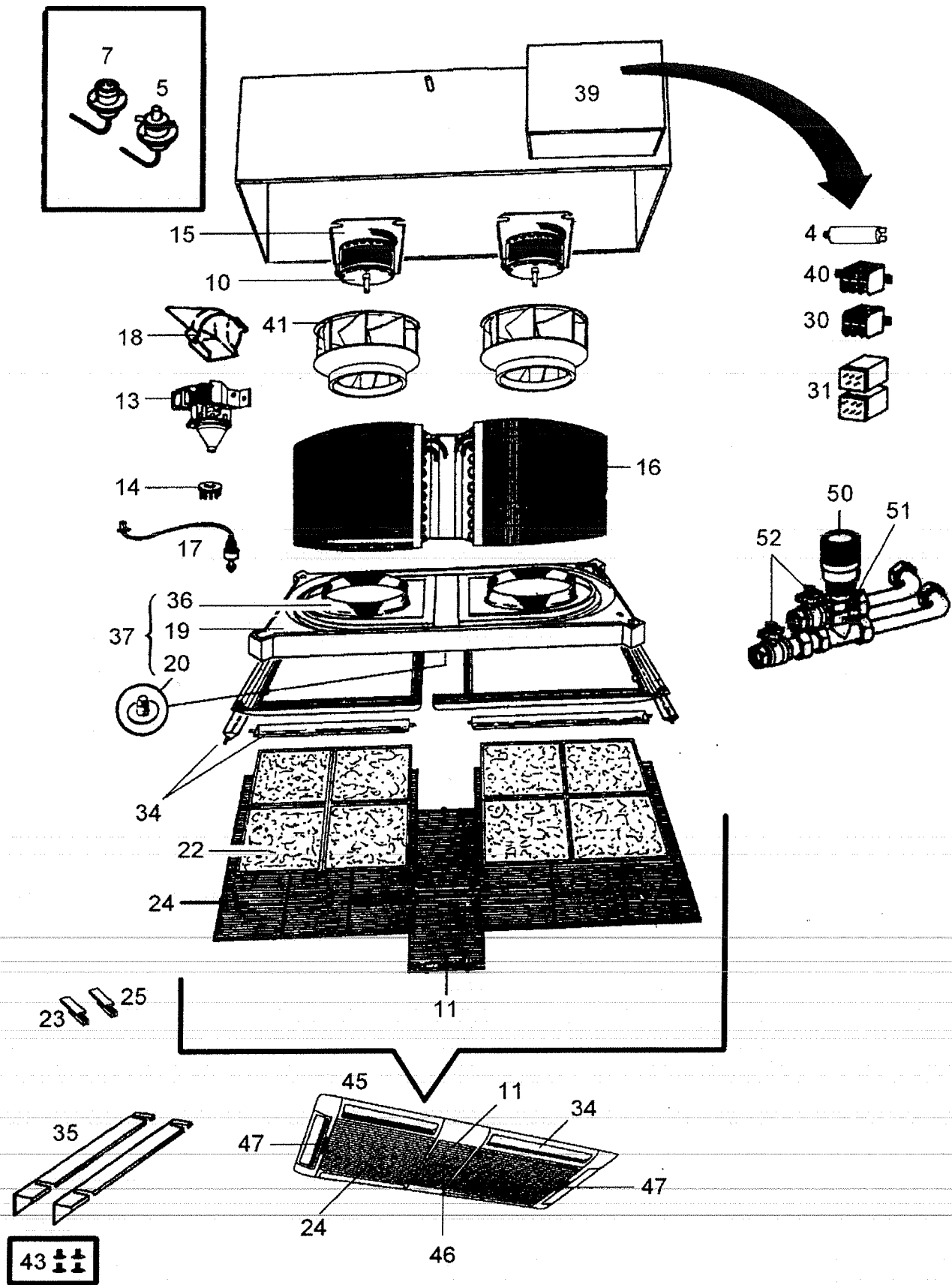


CASSETTE 30 - 45 OG



TH 2503 A

## Exploded views

LocateNB	CodePart	Designation	Quantity	Designation
.	900074	Packaging K 30/45F	1	
.	9469033	Varistor assembly 275V	1	
4	233054	Capacitor 1.5uF/400V screw	2	
10	261532	Fan motor Elco 230/1/50 MT1523	2	
11	372350	Intermediate grill off-white RAL 9016	1	
13	684992	Condensate pump kit	1	
14	221237	Strainer	1	
15	323181	Fan motor support	2	
16	423144	Chilled water battery - 2 tubes	1	
17	232290	Level detector	1	
18	377132	Outside air inlet	1	
19	377140	Baffle (condensate tray) large model	1	
20	374019-93	Cap	1	
22	221567	Air filter, white RAL 9016	2	
23	4521919	LH grill lock (RAL 9016)	2	
24	372351	Suction grill white RAL 9016+locks	2	
25	4521920	RH grill lock (RAL 9016)	2	
30	236265	Terminal strip RHB 51703 (3 Terminals/1 tab)	4	
31	230182	Relay Finder 16A 250V type 65.23	2	
34	372273	Front flap (RAL9016)	6	
35	326196	Attachment	2	
36	374244	Suction inlet	2	
37	684643	Complete baffle assembly (large model)	1	with items 19/20/36
39	306222	Power unit cover	1	
40	236263	Terminal strip RHC 11703 (3 Terminals/2 tabs)	1	
41	293343	Turbine+fan rubber	2	
43	900020	Silent-block shock mount (set of 4)	1	
45	579682A	Front assembly white RAL 9016 (large model)	1	
46	398656	Airwell logo (front panel)	1	
47	398831	Front logo cover	2	