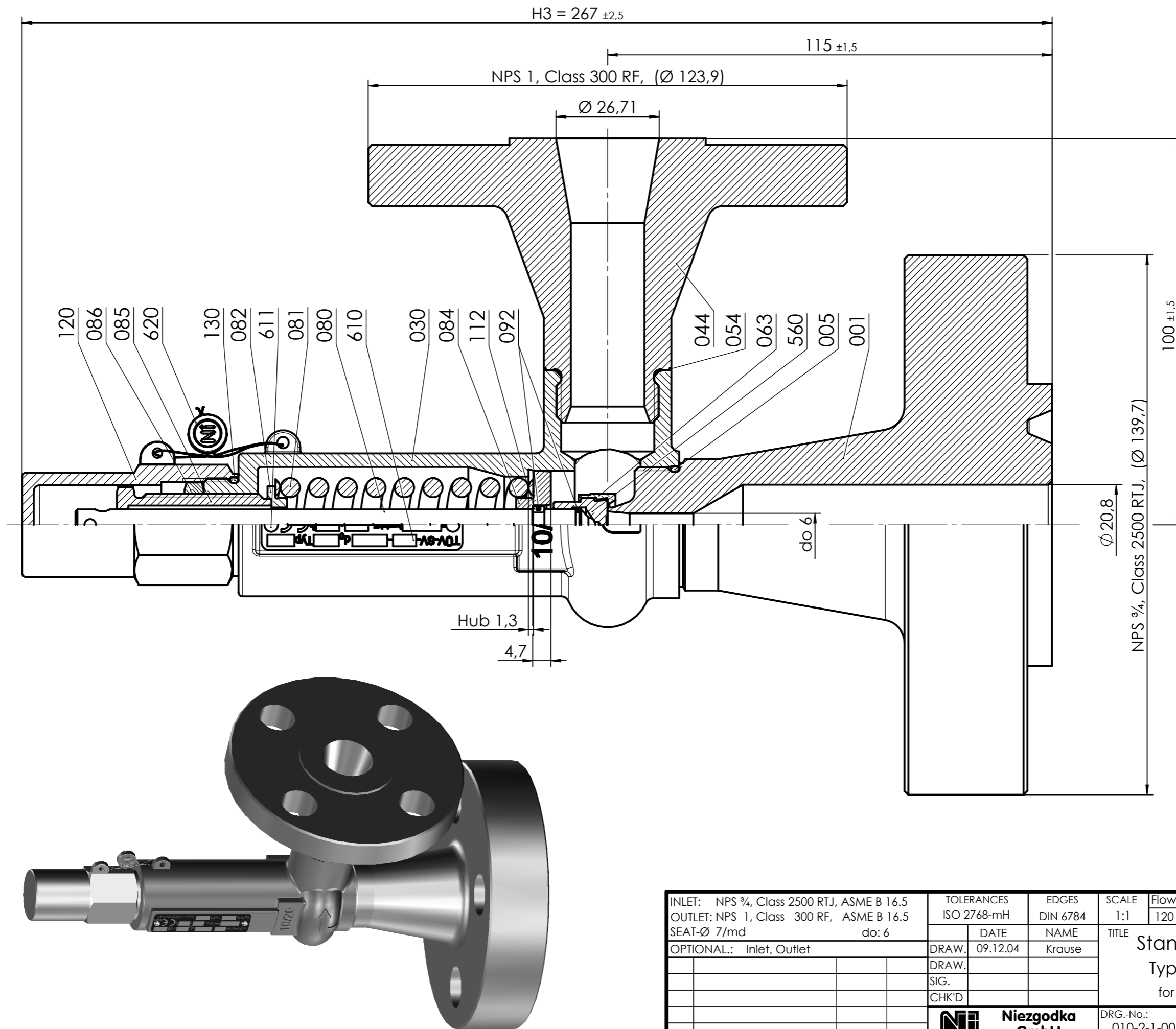


THE ENTIRE CONTENTS OF THE DRAWING ARE SUBJECT TO THE LAWS OF COPYRIGHT AND INTELLECTUAL PROPERTY RIGHTS. ANY INFRINGEMENT WILL BE RIGOROUSLY PURSUED.

M 1 : 2

Head C



INLET: NPS 3/4, Class 2500 RTJ, ASME B 16.5		TOLERANCES	EDGES	SCALE	Flowstar, 6227 '04
OUTLET: NPS 1, Class 300 RF, ASME B 16.5		ISO 2768-mH	DIN 6784	1:1	120 bar < p < 500 bar
SEAT-Ø 7/md do: 6			DATE	NAME	TITLE
OPTIONAL.: Inlet, Outlet		DRAW.	09.12.04	Krause	Standard-Safety-Valve Type 10.2 BG I, Head C for steam, gases and liquids
		DRAW.			
		SIG.			
		CHK'D			
		NIL Armaturen		Niezdodka GmbH Hamburg	
REV. REMARKS		Date	Name	REMARK B/A:	DRG.-No.: 010-2-1-006md-A034P-A100I-C-001 PRINT FROM 09.12.04
				REMARK A/B:	A3 REV.
					Special

Valve type: 10.2

Safety Valve with Type-test approval and CE-mark acc. to PED

Position	Article no.	Drwg. pos.	Description	Amount
11	A3004546	001	Inlet body - Typ 10.2 BG I - ASME NPS 3/4-Class 2500RTJ - do 6/7 - 1.4571	1
30	A700180	005	O-ring 25 x 2 EPDM (FDA) 70 ± 5 Shore A	1
40	A100712	030	Spring bonnet - BG I G 3/4 - 1.4581	1
60	A3003266	044	Enlarged outlet - BG I G 3/4 auf ASME - NPS 1 - Class 300 - 1.4571	1
70	A700179	054	O-ring 18 x 2 EPDM (FDA) 70 ± 5 Shore A	1
80	A101414	560	Disc / md - size I + II do 6 + 8 - 1.4571	1
100	A3000724	063	Disc ring do 6 - 1.4571	1
110	A3000725	080	Spindle - Typ 10.2 BG I - md ø 8 - 134,5 lang - 1.4571	1
120	A3001234	081	Spring no. 104 / 1.4310 d= 5,5mm / Di= 13,25mm / Lo= 72mm	1
130	A100755	082	Springplate upper - Di 14,25 Inside-ø 9 - 1.4305	1
140	A3000731	084	Spring plate lower - Di 14,25 for splitted ring - 1.4571	1
150	A100075	085	Adjusting screw - size I + II M 16 x 1,5 - 40 long - 1.4305	1
160	A100864	086	Locknut - size I + II M 16 x 1,5 - 1.4305	1
170	A101296	092	Locking ring - size I + II ø 08,00 - 1.4571	2
180	A3000730	112	Splitted ring - Type 10.2 size I for spindle ø 8 - 1.4305	1
190	A3015215	610	Type plate for TÜV-approved safety valves	1
200	A000541	611	Grooved pin - ISO 8746 2 x 4 - 1.4305 (DIN 1476)	2
210	A100946	120	Cap - BG I u. II M 24 x 1,5 - 1.4571	1
220	A700179	130	O-ring 18 x 2 EPDM (FDA) 70 ± 5 Shore A	1