



G001766

Manual Call Point IP67 **Salwico MCP-C (GB)**


Part no 5200014-01A

System: Salwico CCP, CS4000, ServoFighter, C300, C303, C308,

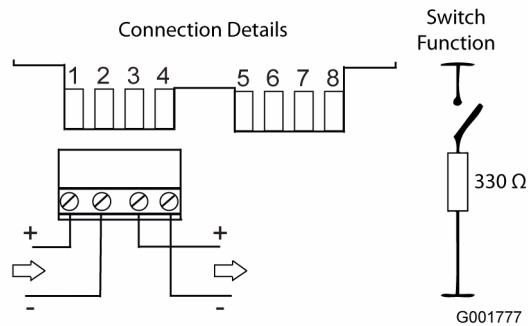
General Description

The MCP-C is a manual call point for outdoor environment and is designed for the Salwico conventional fire alarm systems. The selected material PC/ABS and the encapsulation, with ingress protection IP67, makes it very suitable for harsh environment. Pressing the glass causing it to crack activates the fire alarm. A protective plastic coating on the glass prevents operator injury. The call point can be tested with a special key included in the delivery.

Data

Nominal voltage	24 VDC
Working voltage	16-30 VDC
Supervising current	0 mA
Alarm current	~90 mA
Ingress protection	IP67
Temperature range	-25°C to +70°C
Ambient humidity	0 to 95% RH
Material	PC/ABS
Colour	Red
Weight	240 g
Cable dimension	Ø6-12 mm
Certified according to	 0832
Spare glasses (10pcs.)	Part no. 5200075-00A

Connection

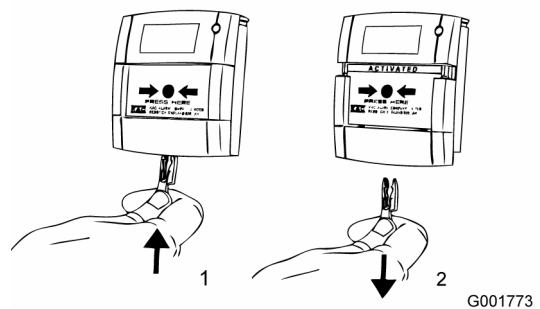


G001777



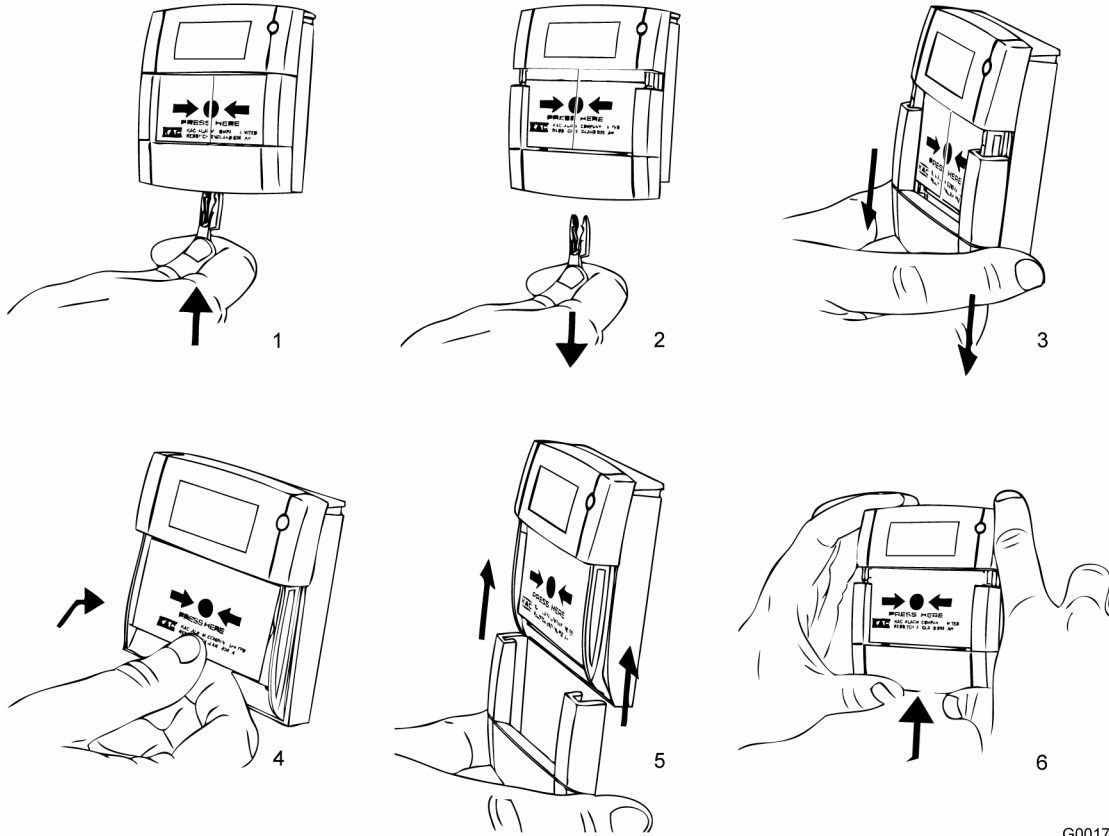
Note!
After the last section unit, add an End of line resistor.

Test



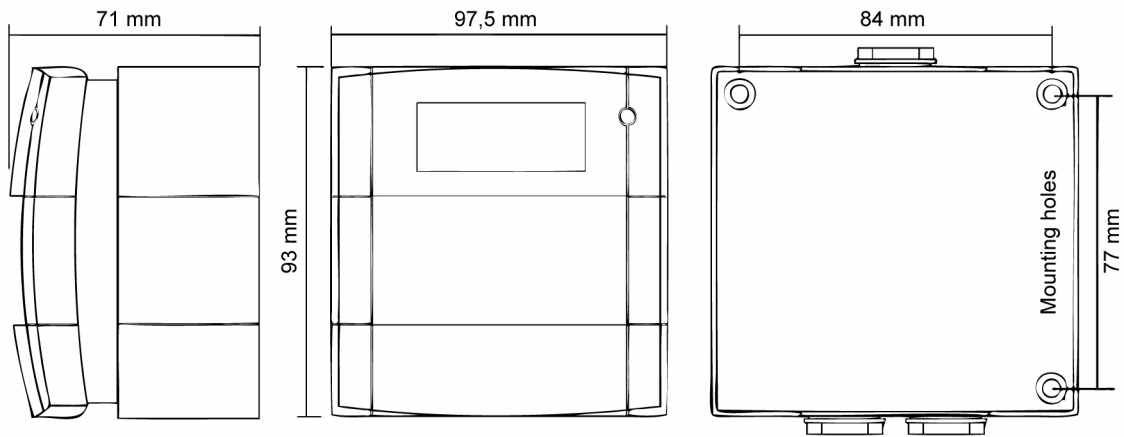
G001773

Change Glass



G001779

Dimensions (mm)



G001782