



EOLIS 0030A2

Isolated analog transmitters EOLIS 0030A2 & EOLIS 0030A2-F are designed to provide simple and low cost solutions for all transmission problems for isolation, and protection against lightning impulse (EOLIS 0030A2-F).

- It's double input channel design allows EOLIS 0030A2 & EOLIS 0030A2-F to become a full isolated between channels double transmitter in one device 22,5 mm width.
- EOLIS 0030A2 & EOLIS 0030A2-F is using the new wiring base system unpluggable from its rail DIN base : BASELINE.
- The use of very efficient components in a wide temperature range ensures a very high level of reliability and very low thermal drift.

EOLIS ANALOGUE RANGE

To provide solutions for all problems, the analog transmitters 0...4/20mA -0...4/20mA are declined in 2 ranges:

- EOLIS 0030A2 is a double isolator : each separate and isolated channel has a 0...4/20mA input with two wires sensor supply and a current output 0...4/20mA.
- EOLIS 0030A2-F is a double isolator : each separate and isolated channel has a 0...4/20mA input with two wires sensor supply and a current output 0...4/20mA with protection against lightning impulse

ANALOGUE RANGE EOLIS TECHNICAL CHARACTERISTICS

INPUT SCALE FOR EACH CHANNEL

CURRENT INPUT (DC)	0/20mA ; 4/20mA
2 WIRES SENSOR SUPPLY	2 wires sensor 24Vdc ; I < 22mA
CURRENT INPUT IMPEDANCE	4,75Ω

OUTPUT SCALE FOR EACH CHANNEL

CURRENT OUTPUT	0/20mA ; 4/20mA
CURRENT OUTPUT IMPEDANCE	< 1000Ω

CHARACTERISTICS

ACCURACY

Precision class	0.1
Thermal drift	< 50ppm
Response time	< 100 μs

ISOLATION

Supply / Input 1 - Input 2	5000Vdc or 3750Vac, 1mn, 50Hz
Supply / Output 1 - Output 2	5000Vdc or 3750Vac, 1mn, 50Hz
Input 1 / Output 1	2500Vac - 1mn - 50Hz
Input 2 / Output 2	2500Vac - 1mn - 50Hz
Isolation between channels	5000Vdc or 3750 Vac, 1mn, 50Hz

POWER SUPPLY

Universal power supply	20Vdc /370Vdc & 80Vac /256Vac
Option	20Vac /60Vac

CONSUMPTION

Maximum consumption	< 4VA
---------------------	-------

TEMPERATURE

Operating temperature	-10°C / +60°C
Storage temperature	-25°C / +80°C

PROTECTION

Protection index	IP20
------------------	------

CASE

Self-extinguishable polyamide UL V0

SPECIFIC CHARACTERISTICS

Transmitters EOLIS 0030A2-F guard PLC inputs against lightning impulses : Report LCIE 60031114 - 529387



ANALOGUE RANGE EOLIS USES

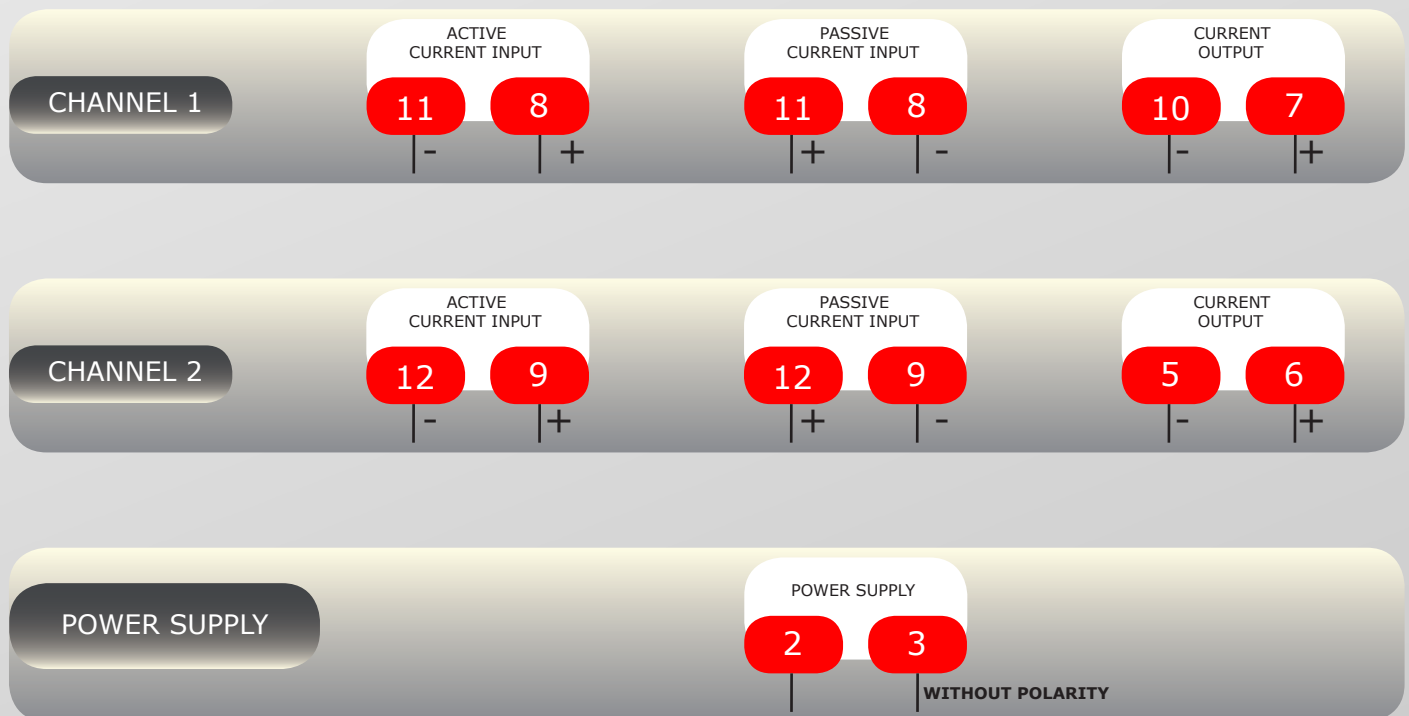
EOLIS 0030A2 & EOLIS 0030A2-F are specially designed as isolation interface and signal conditioning, between:

- Sensors and PLC.
- PLC and actuators

For easier using and installation, JM Concept has developed pre-wired multichannel plates : BASELINE (with screw or spring wiring).

BASELINE plates have SUBD connections that ensure a link by a simple wire to the PLC. This solution makes assembly easier, reduce wiring time and increase reliability.

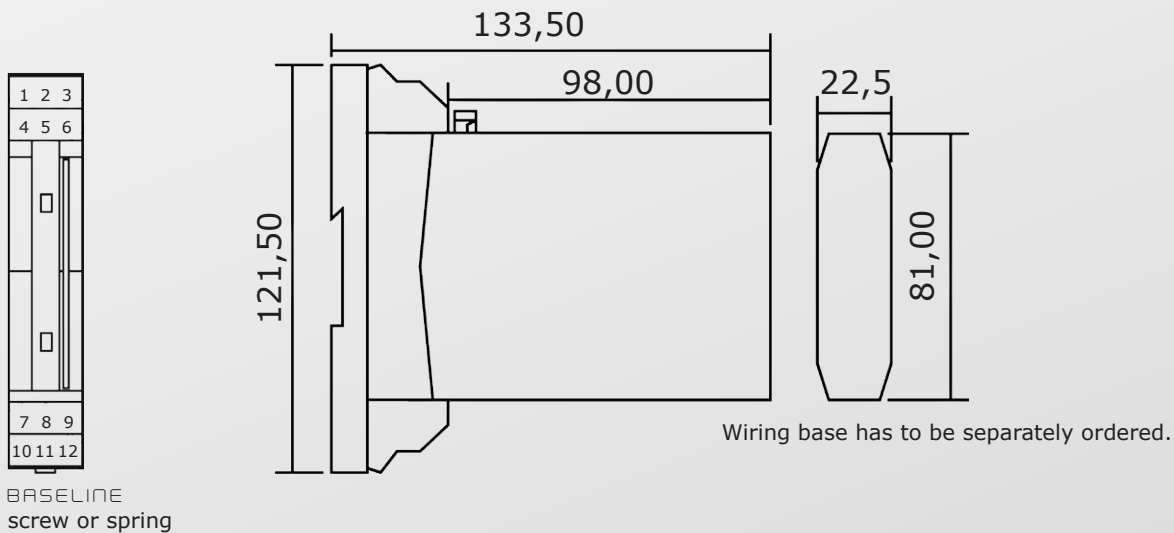
ANALOGUE RANGE EOLIS WIRING



TWO WIRES SENSOR SUPPLY SWITCH

A switch for each input located under the transmitter ensures to switch on or to switch off two wires sensor supply separately on each channel.

ANALOGUE RANGE EOLIS DIMENSIONS AND TERMINALS



ANALOGUE RANGE EOLIS OUTPUT ADJUSTMENT

- Wire on input terminals, a current generator.
- Wire on output terminals, a current multi-meter.
- With generator, generate signal corresponding to input signal low value.
- Adjust with potentiometer called «OFFSET» the output scale bottom.
- With generator, generate signal corresponding to input signal high value.
- Adjust with potentiometer « SCALE» the output scale top.

Start again successively these 2 operations as much as it is necessary until you have the right low and high scale values.

FACTORY SETTING

Channel 1
Input : 4/20mA
Output : 4/20mA

Channel 2
Input : 4/20mA
Output : 4/20mA

Other setting on request