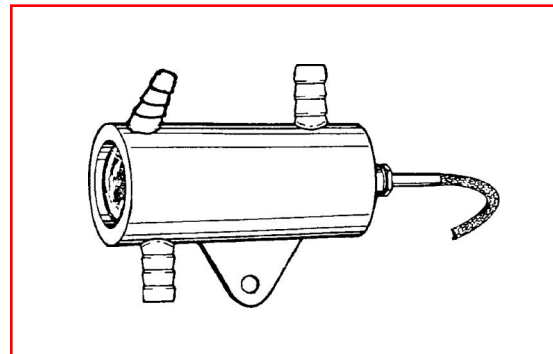




Piros thru-beam sensor with cooling shell for material monitoring and object detection in steel and rolling mills.

Robust stainless steel design with electronic adjusting aid and contamination control by LED indication



### Technical Data

Type	LAB 201.5 L
Art.-No.	5002C
Usable with receiver	LSA 201 LSB 201
Range	25 m max.
Function	transmitter
Supply voltage	115 V AC +/- 15 %
Power frequency	45 - 65 Hz
Current absorbed	approx. 40 mA
Ambient temperature	-20 ... +80°C without cooling
Protection class	IP 67
Connection	2 m POKT-Therm cable with G 3/4" flexible tube connection
Supply voltage display	LED
Housing	stainless steel with cooling jacket

### Diagram of Connections

