

Model 220

Vishay Tedea-Huntleigh



High Accuracy Compression Load Cell



FEATURES

- Capacities 5 - 50 Ton
- Stainless steel construction
- OIML R60 and NTEP approved
- IP68 protection

OPTIONAL FEATURES

- EEx ia IIC T6 hazardous area approval
- FM approval available

DESCRIPTION

Model 220 is a low profile bending ring load cell designed for high capacity weighing applications, including weighbridges, tanks, silos and high capacity platform scales as well as force measurement.

It's small physical size, combined with high accuracy and low cost, makes this load cell ideally suited for modern low profile designs in both approved applications and process weighing.

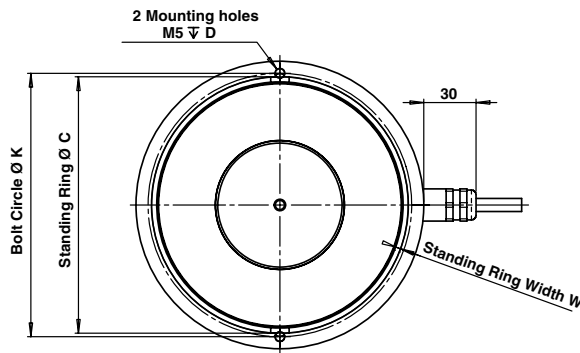
This high accuracy load cell has factory Mutual approval and is OIML R60

approved to 6000 divisions. For hazardous environments, this load cell has an EEx ia IIC T6 approved option. When combined with Vishay Tedea-Huntleigh mounting accessories, this load cell will provide a simple, accurate and reliable weighing system.

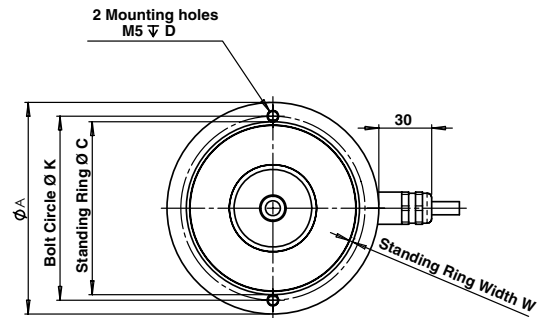
APPLICATIONS

- Truck scales
- Hopper for process weighing
- Tank & silo weighing
- Harsh environment

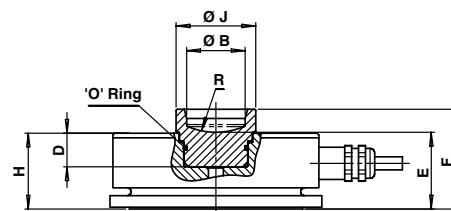
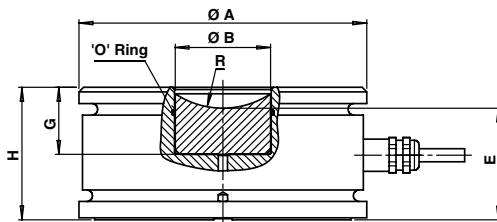
OUTLINE DIMENSIONS in mm



20t, 30t, 50t



5t, 10t



	A	B	C	D	E	F	G	H	J	K	W	R
5t	80.0	25.4	71.0	7.0	33.4	43.4	20.0	30.0	34.6	70.0	1.0	31.0
10t	92.0	25.4	75.2	6.0	33.4	43.4	14.6	33.0	34.6	80.0	1.5	31.0
20t & 30t	110.0	28.4	101.0	7.5	39.1		26.3	50.1		102.0	1.5	31.0
50t	125.0	41.4	111.5	8.0	48.5		29.2	57.7		114.5	2.3	37.3

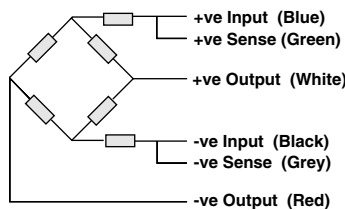


SPECIFICATIONS

PARAMETER	VALUE				UNIT
Rated capacity-R.C. (E_{max})	5000, 10000, 20000, 30000, 50000***				kg
NTEP/OIML Accuracy class	NTEP	C1	C3*	C4**	
Maximum no. of intervals (n)	10000 III L multiple	1000	3000	4000	
$Y = E_{max}/V_{min}$	11000	5000	14000	14000	
Rated output-R.O.	2.0				mV/V
Rated output tolerance	0.1				±% of rated output
Zero balance	2				±% of rated output
Zero Return, 30 min.	0.0330	0.0500	0.0170	0.0125	±% of applied load
Total Error (per OIML R60)	0.0200	0.0500	0.0200	0.0150	±% of rated output
Temperature effect on zero	0.0023	0.0028	0.0010	0.0010	±% of rated output/°C
Temperature effect on output	0.001	0.0020	0.0010	0.0008	±% of applied load/°C
Temperature range, compensated	-10 to +40				°C
Temperature range, safe	-30 to +70				°C
Maximum safe central overload	150				% of R.C.
Ultimate central overload	300				% of R.C.
Excitation, recommended	10				Vdc or Vac rms
Excitation, maximum	20				Vdc or Vac rms
Input impedance	1065±60				Ohms
Output impedance	1025±20				Ohms
Insulation resistance	>2000				Mega-Ohms
Cable length	5m (5T), 10m (10 & 20T), 20m (30 & 50T)				m
Cable type	6 wire, braided, Polyurethane, double floating screen				Standard
Construction	Stainless steel				
Environmental protection	IP68				

- * 20% utilization
- ** 40% utilization
- *** Capacities 5-20 ton available in C6 45% utilization

Wiring Schematic Diagram



VISHAY TRANSDUCERS (VT) SALES OFFICES

VT Americas
 City of Industry, CA
 PH: +1-626-858-8899
 FAX: +1-626-332-3418
 vt.us@vishaymg.com

VT Netherlands
 Breda
 PH: +31-76-548-0700
 FAX: +31-76-541-2854
 vt.nl@vishaymg.com

VMG UK
 Basingstoke
 PH: +44-125-646-2131
 FAX: +44-125-647-1441
 vt.uk@vishaymg.com

VMG Israel
 Netanya
 PH: +972-9-863-8888
 FAX: +972-9-863-8800
 vt.il@vishaymg.com

VMG Germany
 Heilbronn
 PH: +49-7131-3901-260
 FAX: +49-7131-3901-2666
 vt.de@vishaymg.com

VT China
 Tianjin
 PH: +86-22-2835-3503
 FAX: +86-22-2835-7261
 vt.prc@vishaymg.com

VMG France
 Chartres
 PH: +33-2-37-33-31-20
 FAX: +33-2-37-33-31-29
 vt.fr@vishaymg.com

VT Taiwan*
 Taipei
 PH: +886-2-2696-0168
 FAX: +886-2-2696-4965
 vt.roc@vishaymg.com
 *Asia except China



Disclaimer

All product specifications and data are subject to change without notice.

Vishay Intertechnology, Inc., its affiliates, agents, and employees, and all persons acting on its or their behalf (collectively, "Vishay"), disclaim any and all liability for any errors, inaccuracies or incompleteness contained herein or in any other disclosure relating to any product.

Vishay disclaims any and all liability arising out of the use or application of any product described herein or of any information provided herein to the maximum extent permitted by law. The product specifications do not expand or otherwise modify Vishay's terms and conditions of purchase, including but not limited to the warranty expressed therein, which apply to these products.

No license, express or implied, by estoppel or otherwise, to any intellectual property rights is granted by this document or by any conduct of Vishay.

The products shown herein are not designed for use in medical, life-saving, or life-sustaining applications unless otherwise expressly indicated. Customers using or selling Vishay products not expressly indicated for use in such applications do so entirely at their own risk and agree to fully indemnify Vishay for any damages arising or resulting from such use or sale. Please contact authorized Vishay personnel to obtain written terms and conditions regarding products designed for such applications.

Product names and markings noted herein may be trademarks of their respective owners.