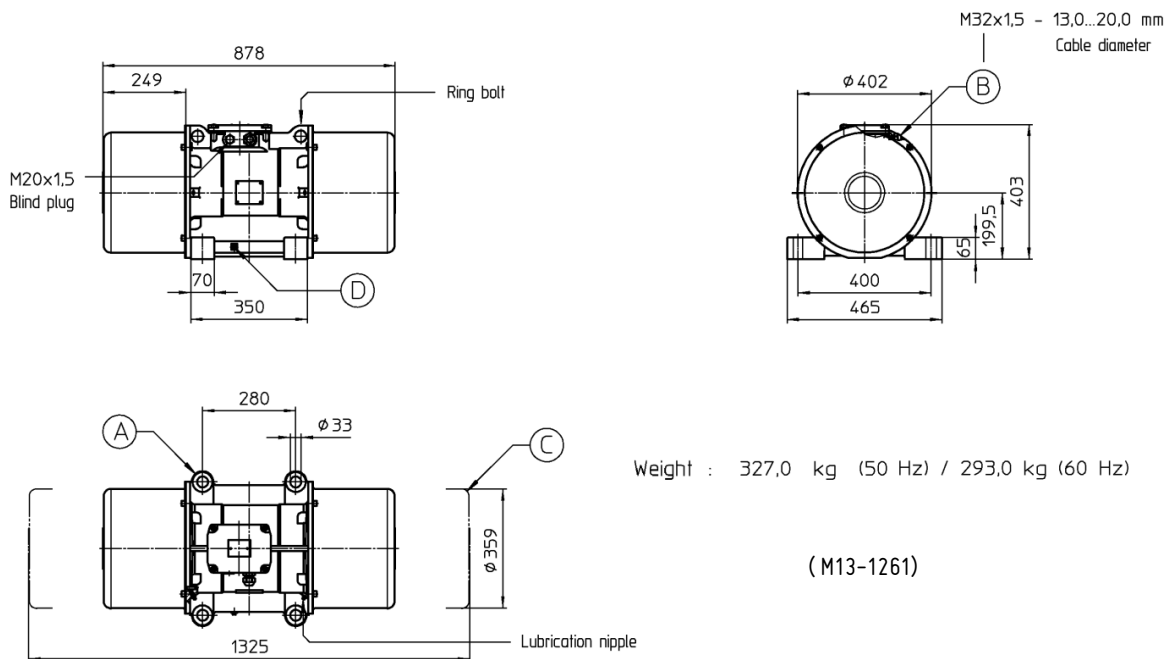


Unbalance motor UVK 79W-A1.1



- (A) – Mounting screws required: 4 pieces (M30) – Screw tightening torque: 1,450 Nm (Bolt quality: 8.8)
- (B) – Observe the degree of protection (IP Code) according to the type label, cable diameter & cable gland must match!
- (C) – Observe the required space for mounting the protective hoods!
- (D) – Grounding screw

Electrical specifications										
Housing size	Mains frequency	Standard coils	Code number AVITEQ	Nominal current	Input power	Power factor	I _A /I _n	Number of poles	Motor speed, synchronous	
95(A)	50Hz	220-240/380-415V (3-phase)	57143	21.9/12.6A	7.00kW	0.80	4.59	6	1,000min ⁻¹	
		254-305/440-525V (3-phase)	57144	17.4/10.1A						
		380-400/660-690V (3-phase)	62105	12.6/7.20A						
	60Hz	220-277/380-480V (3-phase)	57145	19.6/11.3A	7.50kW	0.85	5.58			1,200min ⁻¹
		330-346/575-600V (3-phase)	57401	15.6/9.00A						

Mechanical specifications							
Housing size	Mains frequency	Centrifugal force	Static moment	Working weight range (double drive)	Degree of protection (EN 60529)	Bearing	Sound pressure level
95(A)	50Hz	78,900N	1,439kgcm	1,560...6,540kg	IP66	NJ2317E-M1A.C4.BL	<70dB(A)
	60Hz	78,400N	993kgcm	1,400...6,040kg			

Further information:

Insulation class: F
 Construction: can be operated at all positions
 Rotation: C.W. and C.C.W.
 Permissible number of starts per hour: 15
 Allowed ambient temperature: -20...+55°C (Special version with heater for temperatures below -20°C possible on request)
 Standard coloring (housing): RAL 5018, powder-coated (...other colorings possible on request)
 Bearing service life-hours (L10 Basis): approx. 8,000h, bearing re-placement interval without re-lubrication under normal conditions
 approx. 12,000h, bearing re-placement interval with re-lubrication under normal conditions
 Re-lubrication: 10 re-lubrication intervals every 1,200h with 60g STABURAGS NBU 8EP (lubricant)
 Service factor: 1.15
 CSA-approval: Yes (...only for non-hazardous areas)
 ATEX-approval: LCIE 07 ATEX 6020 X - II 2 D tD A21 IP66 T 135°C