

# Oval flange bearing units

**FL**



**Waterproof housing**

**Shaft shoulders locking**

High axial load capacity.

**PA FV polyamide housing**

High mechanical and heat resistance. Proof to dust, humidity, washouts, steam, average aggressive chemical agents.

**PP FV polypropylene housing**

Proof to highly aggressive chemical agents. Inferior loading ability.

**Material**

**PA FV polyamide housing**

- Housing in reinforced polyamide PA FV resin (black)
- Seal and O-Ring in NBR rubber (black)
- Ball type nickel plated brass greasing nipple
- Reinforcing bushings on mounting holes and washers in stainless steel AISI 304.

**PP FV polypropylene housing**

- Housing in reinforced polypropylene PP FV resin (black)
- Seal and O-Ring in NBR rubber (black).
- On request supplied in Viton rubber (brown).
- Viton material offers high resistance to chemical agents.
- Ball type stainless steel AISI 316 greasing nipple
- Reinforcing bushings on mounting holes and washers in stainless steel AISI 316.

**Continuous operating temperature**

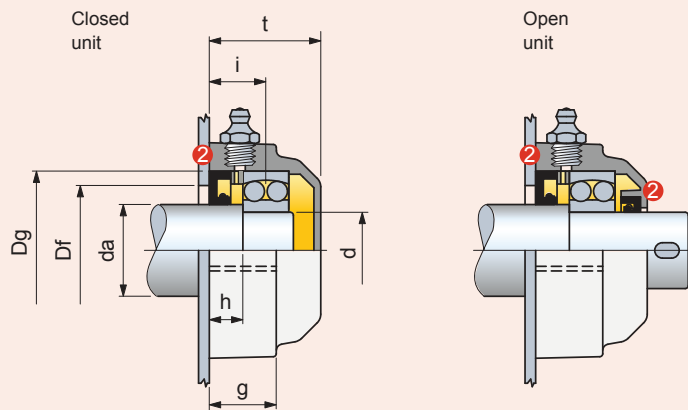
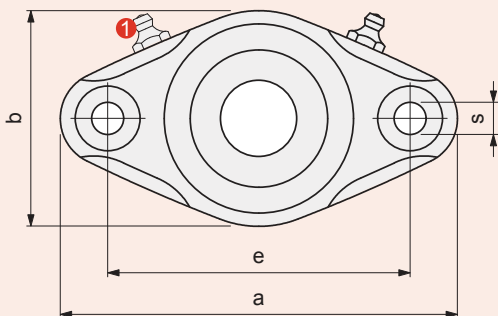
in air: - 20 to + 60°C.

**Maximum allowed misalignment: 2°.**

**Bearing**

- Type 1200 self aligning ball bearing
- Chrome alloy steel
- Supplied without grease
- To be prelubricated with lithium / calcium grease during first installation.

① Only for Type 1206



② Seal.

Shaft dia. da mm	Bearing dia. d mm	Series	Housing material		Dimensions in mm											Bore in frame <sup>1)</sup> Df		Bearing	Weight Kg
			Polyamide PA FV Standard Flange (black)	Polypropylene PP FV Standard Flange (black)	e	a	b	s	g	i	h	t	Dg	max.	min.				
			Code																
<b>Closed unit</b>																			
25	20	FL 1204	68976	680352	90	116	62	11	20	18	11	35,5	47	45	40	Type 1200	0,25		
30	25	FL 1205	68483	680362	99	130	71	11	22,5	18,5	11	36,5	52	50	47	Type 1200	0,29		
35	30	FL 1206	68339	680372	117	148	85	11	26	19	11	40	62	60	52	Type 1200	0,39		
40	35	FL 1207	648091	680382	130	162	93	11	26	19,5	11	40	72	70	60	Type 1200	0,55		
45	40	FL 1208	672371	680392	144	176	102	11	30	25	16	45	80	78	65	Type 1200	0,71		
<b>Open unit</b>																			
25	20	FL 1204	68986	680402	90	116	62	11	20	18	11	35,5	47	45	40	Type 1200	0,25		
30	25	FL 1205	68493	680412	99	130	71	11	22,5	18,5	11	36,5	52	50	47	Type 1200	0,29		
35	30	FL 1206	68349	680422	117	148	85	11	26	19	11	40	62	60	52	Type 1200	0,39		
40	35	FL 1207	648101	680432	130	162	93	11	26	19,5	11	40	72	70	60	Type 1200	0,55		
45	40	FL 1208	672381	680442	144	176	102	11	30	25	16	45	80	78	65	Type 1200	0,71		

**Item code for order = B0000 + Code**

<sup>1)</sup> = Dimensions Df max / Df min must be respected to ensure positive retention of the seals and to allow air bleeding during lubrication.

Packaging: 6 pieces.