

Series 30

- ▶ Incremental rotary-encoder with a solid shaft diameter of 12 mm
- ▶ Housing diameter 90mm, robust design and high degree of protection
- ▶ Maximum 5.000 pulses / revolution
- ▶ For highest industrial requirements
- ▶ Also available in stainless steel for aggressive environmental conditions

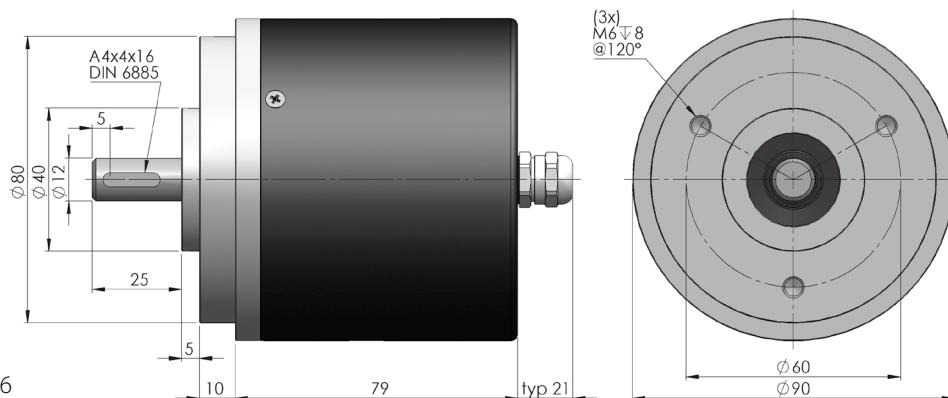
Electrical specifications

Max. step frequency:	100 kHz
Perm. temperature range:	-30°... +70° C
Power supply:	10 V... 30 V DC
Max. current consumption:	80 mA (without load)
Max. output load:	30 mA (per channel)
Residual ripple:	max. ± 5% UB
Power supply:	5 V DC ± 5%
Max. current consumption:	80 mA
	150 mA for Line Driver 75114 or sim.

Mechanical specifications

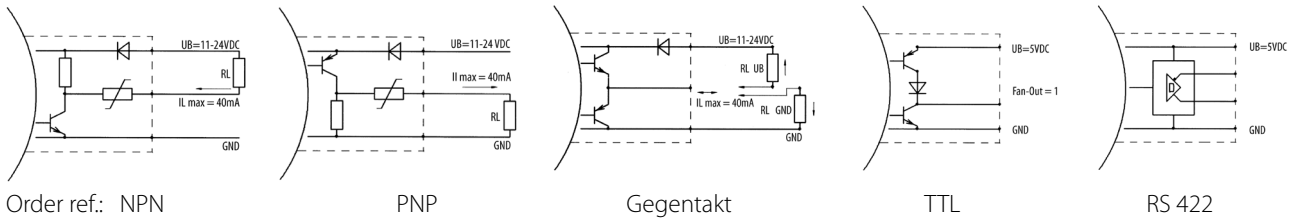
Flange:	Aluminium
Housing:	Powder-coated sheet steel
Shaft:	stainless steel
Shaft seal:	oil/salt-water resistant
Bearing:	Deep groove ball bearing
Weight:	approx 1,2 kg
Protection type:	IP 65
Max. speed:	6.000 U/min
Torque:	approx 5 Ncm
Max. shaft load:	axial 30 N/radial 50 N

Mechanical dimensions

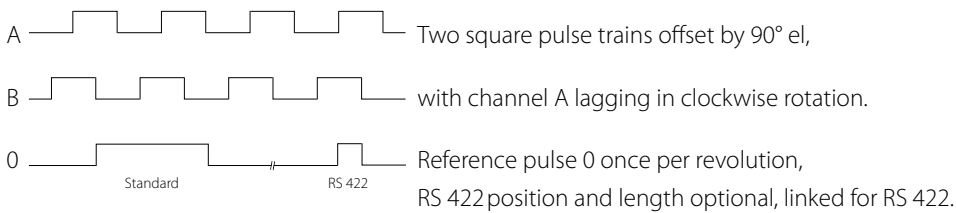


* Tolerance = h 6

Output circuits



Signal outputs



All channels can also be executed inversely.

Pin configuration

	- Volt	+ Volt	A	B	\bar{A}	\bar{B}	0	$\bar{0}$
Cable 5-core / 01	black	blue	brown	beige	–	–	yellow	–
Cable 8-core / 01	black	blue	brown	beige	yellow	green	yellow	purple
Plug-9412 / 05	Pin 1	Pin 2	Pin 3	Pin 4	–	–	–	–
Plug-9414 / 08	Pin 1	Pin 2	Pin 3	Pin 4	–	–	Pin 5	–
Plug-9411 / 02	Pin 1	Pin 2	Pin 3	Pin 4	Pin 5	Pin 6	Pin 7	–
Plug-9416 / 12	Pin 1	Pin 2	Pin 3	Pin 4	Pin 5	Pin 6	Pin 7	Pin 8

Order reference

