



4 Way SMA Wilkinson Power Divider From 690 MHz to 2.7 GHz Rated at 10 Watts

Power Dividers Technical Data Sheet

PE2089

Features

- 4-Way Power Divider
- Wilkinson Design
- 0.69 to 2.7 GHz Frequency Range
- Max Power 10 Watts (CW)
- Insertion Loss < 1 dB
- Isolation > 22 dB

Applications

- Test and Measurement
- Military Communications
- Commercial Communications
- Wireless Communications
- SATCOM

Description

Pasternack carries a wide selection of power dividers to fit your needs. These components are essential in many systems, allowing the combination of multiple signals or splitting of a single signal into multiple signals with equal magnitude and phase. Pasternack's resistive and Wilkinson power dividers come with excellent performance featuring minimal loss, high isolation and low VSWR. They are available in both narrow and broad bandwidths with a variety of connector types such as 2.92mm, BNC, N and SMA.

The PE2089 is a 4-way Wilkinson power divider that operates from 0.69 to 2.7 GHz and can handle up to 10 Watts (CW) with 1 dB max insertion loss and 22 dB min isolation. The package interface uses SMA female connectors and is REACH and RoHS compliant.

Electrical Specifications

Design: Wilkinson
Number of Output Ports: 4

Description	Minimum	Typical	Maximum	Units
Frequency Range	0.69		2.7	GHz
Impedance		50		Ohms
Input VSWR			1.35:1	
Output VSWR			1.25:1	
Insertion Loss			1	dB
Isolation	22			dB
Amplitude Balance			0.2	dB
Phase Balance			4	Degrees
Input Power (CW)			10	Watts

Electrical Specification Notes:
Max input power rated for load VSWR better than 2.0:1.

Click the following link (or enter part number in "SEARCH" on website) to obtain additional part information including price, inventory and certifications: [4 Way SMA Wilkinson Power Divider From 690 MHz to 2.7 GHz Rated at 10 Watts PE2089](#)



4 Way SMA Wilkinson Power Divider From 690 MHz to 2.7 GHz Rated at 10 Watts

Power Dividers Technical Data Sheet

PE2089

Mechanical Specifications

Size

Length	3.74 in [95 mm]
Width	4 in [101.6 mm]
Height	0.75 in [19.05 mm]
Weight	0.78 lbs [353.8 g]

Housing Material and Plating

Aluminum

Configuration

Package Type	Connectorized
Input Connector	SMA Female
Input Connector Specification	MIL-STD-348
Output Connectors	SMA Female
Output Connectors Specification	MIL-STD-348

Environmental Specifications

Temperature

Operating Range	-55 to +85 deg C
-----------------	------------------

Compliance Certifications (visit www.Pasternack.com for current document)

RoHS Compliant	
REACH Compliant	12/17/2015

Plotted and Other Data

Notes:

4 Way SMA Wilkinson Power Divider From 690 MHz to 2.7 GHz Rated at 10 Watts from Pasternack Enterprises has same day shipment for domestic and International orders. Our RF, microwave and millimeter wave products maintain a 99% availability and are part of the broadest selection in the industry.

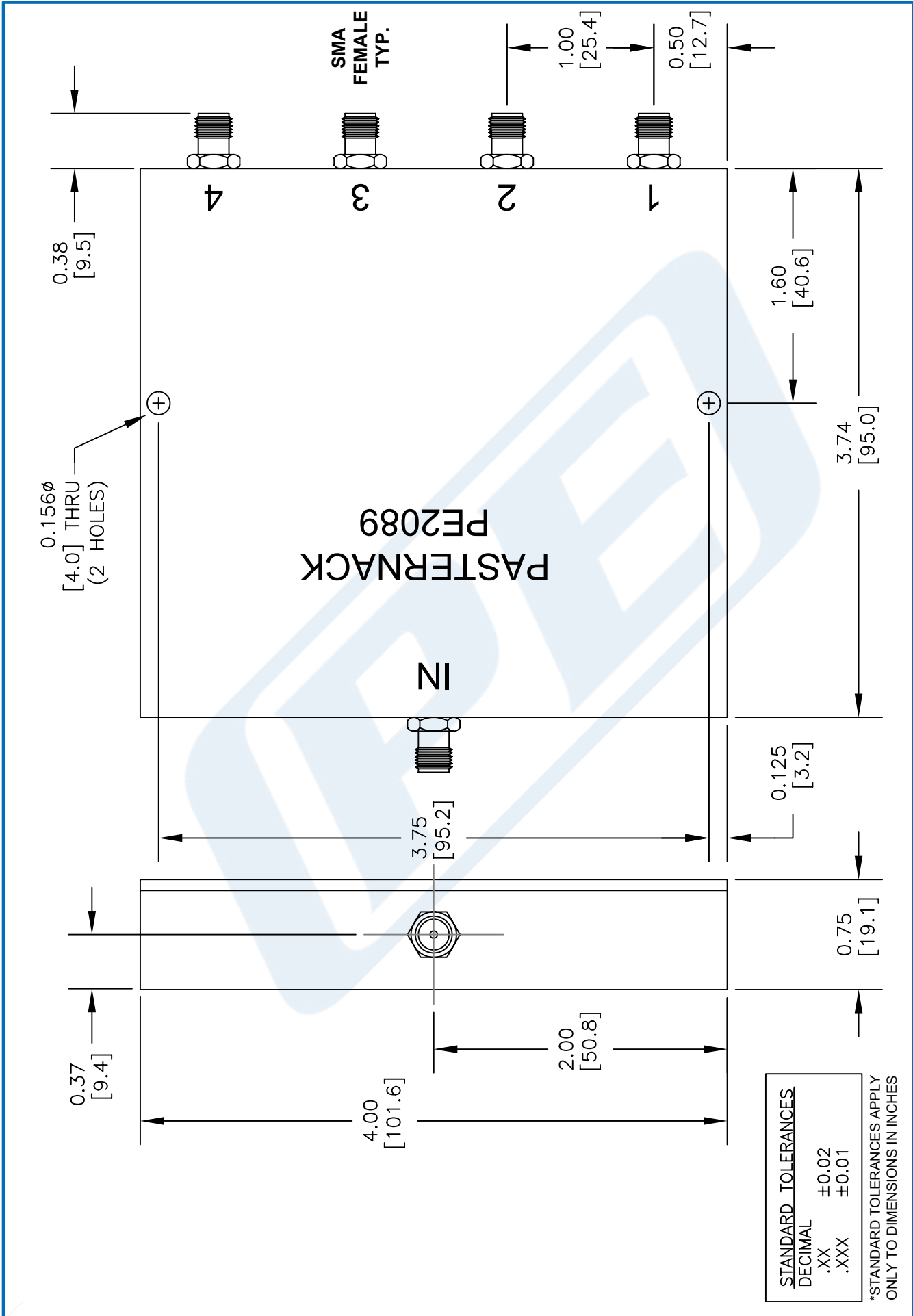
Click the following link (or enter part number in "SEARCH" on website) to obtain additional part information including price, inventory and certifications: [4 Way SMA Wilkinson Power Divider From 690 MHz to 2.7 GHz Rated at 10 Watts PE2089](http://www.pasternack.com/4-way-sma-wilkinson-power-divider-690-mhz-2.7-ghz-10-watts-pe2089-p.aspx)

URL: <http://www.pasternack.com/4-way-sma-wilkinson-power-divider-690-mhz-2.7-ghz-10-watts-pe2089-p.aspx>

The information contained in this document is accurate to the best of our knowledge and representative of the part described herein. It may be necessary to make modifications to the part and/or the documentation of the part, in order to implement improvements. Pasternack reserves the right to make such changes as required. Unless otherwise stated, all specifications are nominal. Pasternack does not make any representation or warranty regarding the suitability of the part described herein for any particular purpose, and Pasternack does not assume any liability arising out of the use of any part or documentation.

PE2089 CAD Drawing

4 Way SMA Wilkinson Power Divider From 690 MHz to 2.7 GHz Rated at 10 Watts



NOTES:
 1. UNLESS OTHERWISE SPECIFIED ALL DIMENSIONS ARE NOMINAL.
 2. ALL SPECIFICATIONS ARE SUBJECT TO CHANGE WITHOUT NOTICE AT ANY TIME.
 3. DIMENSIONS ARE IN INCHES [mm].

DWG TITLE
PE2089

FSCM NO. 53919

CAD FILE 040116

SCALE N/A

SIZE A 3045

PE PASTERNAK
 THE ENGINEER'S RF SOURCE

Pasternack Enterprises, Inc.
 P.O. Box 16759 | Irvine | CA | 92623

Phone: (949) 261-1920 | Fax: (949) 261-7451
 Website: www.pasternack.com | E-Mail: sales@pasternack.com