

CASTING COLOR MAY VARY

**MODEL NUMBER**

**K1P-K2CFNMS**

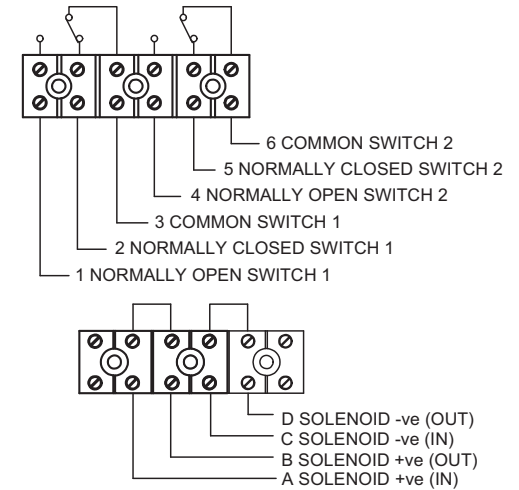
**PRODUCT LINE**

**Switchbox K1P and K1S**

**SPECIFICATIONS**

Enclosure	Aluminum
Bus/Sensor	(2) SPDT Mechanical -Gold
Area Classification	(ATEX/IEC) Flameproof
Visual Display	Flattop
Shaft	NAMUR
Conduit Entries	(2) M20
O-Rings	Silicone
Pilot	No pilot
Spool Valve	No Spool Valve
Valve Cv	No Valve Cv
Manual Override	No Manual Override
Regional Certification	No Regional Certification
N Switch	No N Switch

**WIRING DIAGRAM**



Current as of February 24, 2020 – Subject to change without notice.

**NAMEPLATE**



 Temperature Class: T4  
 Ambient Temperature: 50°C  
 Type: ECN4 / EC4H7  
 Standard: IEC60335-1 / IEC60335-2-15  
 Ex db IIC T4 / T4 Gb Ex db IIC T40 C / T35 C Db  
 Ta: -40°C to +70°C  
 Switch: 250VAC/10A, 120VAC/1A; 24VDC/10A  
 Solenoid: 250V/1A  
 Cable Entry: M20, IP66/IP67  
 TopWorx  
 3300 Fern Valley Road  
 Louisville, KY 40213 USA  
 +1 502 969 8000  
 Made in the UK

**TOPWORX**  
 3300 Fern Valley Road  
 Louisville, KY 40213

(502)969-8000 PH  
 (502)969-5911 FAX  
 www.topworx.com