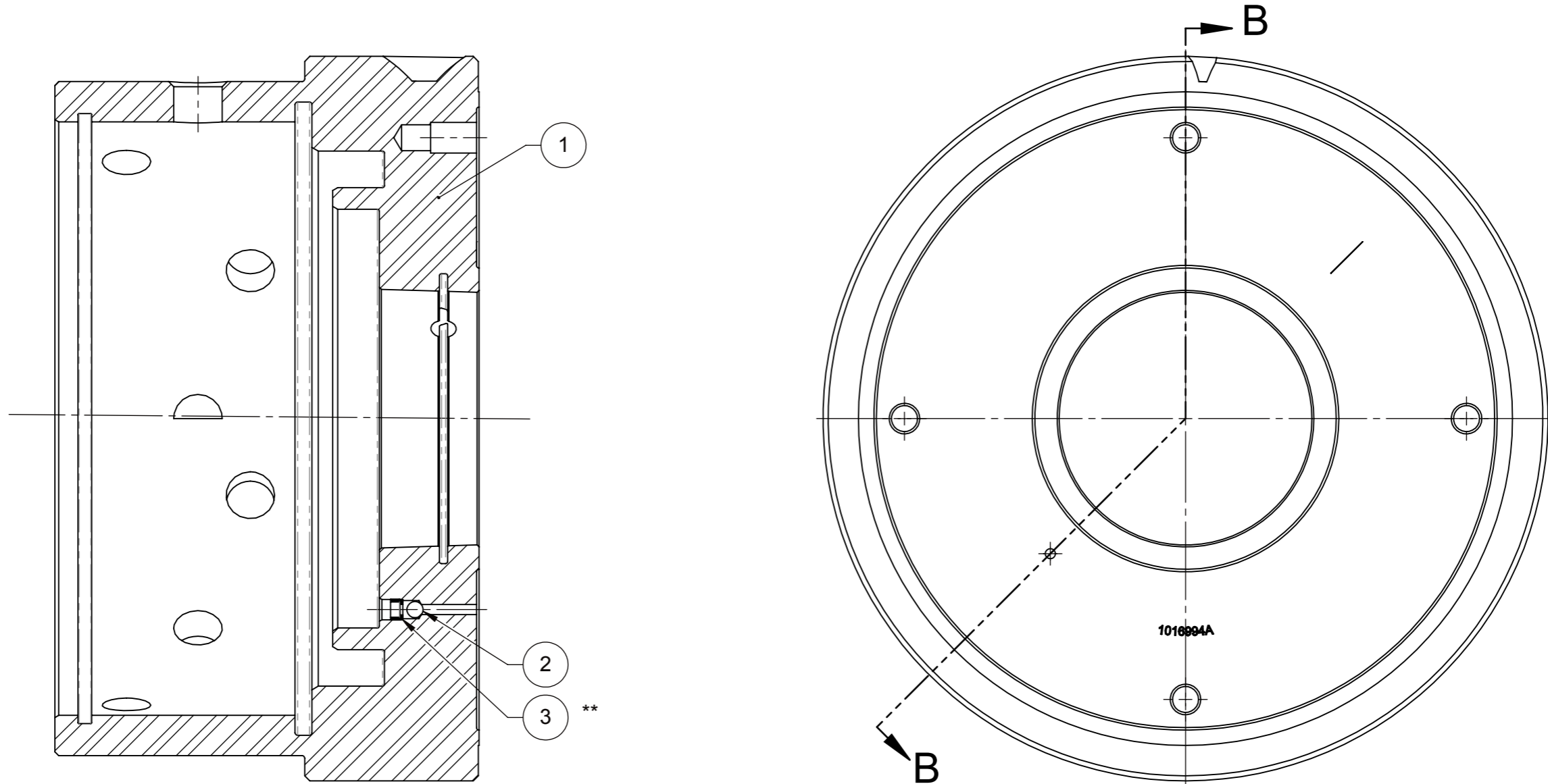


BILL OF MATERIAL			
ITEM NO.	QTY.	PART NO.	DESCRIPTION
* 1	1	1016994A	GEAR
2	1	M1990C	BALL
3	1	M1945BC	PLUG

* NOT SERVICEABLE SEPERATELY.



SECTION B-B

NOTE:

** APPLY ANAEROBIC SEALANT MEETING M2828 REQUIREMENTS. REFER TO S774 FOR ADDITIONAL INSTRUCTIONS.

-	ECNWF-22565	12/09/2011
REV	CHANGE NO.	DATE

FIRST USE ASSEMBLY: 1022203B FIRST USE MODEL: MGX-5321DC SIMILAR TO:	WEIGHT: 31.51 kg WR ² : 0.42 kg-m ²	THIRD ANGLE PROJECTION
METRIC	UNLESS OTHERWISE SPECIFIED MACHINED DIMENSIONS X ±0.75 X.X ±0.25 X.XX ±0.13	ALL ANGULAR TOLERANCES ±1° GEOMETRIC TOLERANCING PER ASME Y14.5M 1994
NOTICE! THIS PRINT CONTAINS PROPRIETARY INFORMATION AND IS NOT TO BE USED IN ANY MANNER DETRIMENTAL TO THE INTEREST OF TWIN DISC, INCORPORATED . THIS NOTICE IS NOT INTENDED TO NULLIFY OR LIMIT RIGHTS GRANTED TO THE U.S. GOVERNMENT OR OTHERS BY CONTRACT.		

MATERIAL:	SEE DETAILS
HEAT TREAT:	SEE DETAILS
DESCRIPTION:	GEAR ASSY

DATE:	11/14/2011
SCALE:	1:2
DRAWN BY:	MG
CHECKED BY:	JMF
APPROVED BY:	ALC

RACINE, WI 53403 - USA	
1016994B	
DWG SIZE: A3	SHEET: 1 OF 1
REV: -	