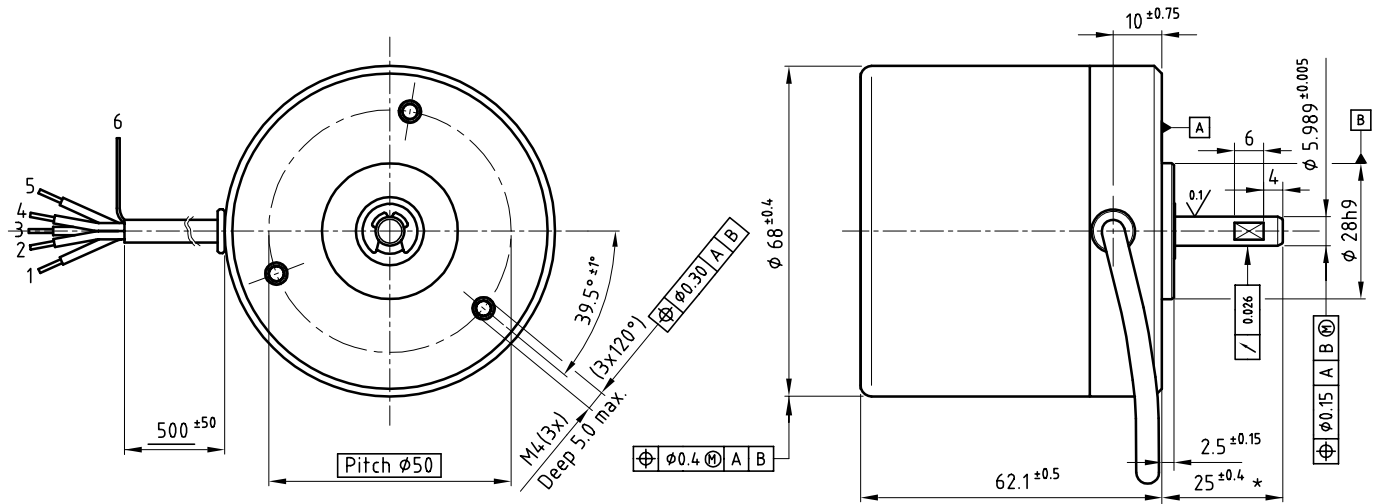


Dimensional drawing



Motor data

Motor order number	Shaft length 25 mm	4322 016 58003	
	Shaft length 20 mm	4322 016 58004 *	
Nominal Voltage	[V]	24	
No load Speed (V in > 4V)	[rpm]	4330	
No load Current (V in > 4V)	[mA]	220	
Nominal Current limitation (V in > 4V)	[A]	2.5	
Maximum torque	[mNm]	110	
Maximum output power	[W]	35	
Operating temperature range	[°C]	0 to 90	
Thermal resistance from housing to ambient	[K/W]	3.7	
Rotor inertia	[kgm ²]	120x10 ⁻⁶	
Mass of motor	[g]	550	

Maximum radial load 20 mm from mounting front (no axial load towards flange)	[N]	40
Maximum axial load - towards flange (no radial load) - from flange	[N]	18
	[N]	10

Thermal motor protection :
 Motor shuts down if the motor flange temperature reaches approx. 90°C
 Motor restarts if the flange temperature is cooled down to approx. 80°C
 For thermal reasons it is advised to mount the motor on a heat conducting frame if high output power is desired.

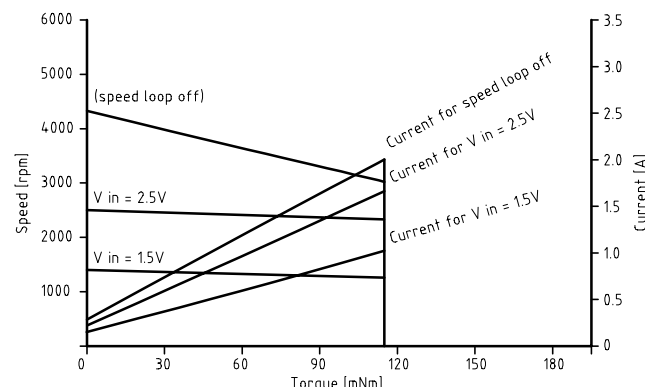
* Shaft 20 mm for combination with gearboxes.

Electrical Connection

Lead no.	Lead colour	Function	Description
1	brown	FW/RV	Direction control input : 'High' CW, 'Low' CCW (shaftside) (do not leave this lead floating)
2	white	V in	Input voltage (setpoint) for speed loop Resulting speed approx. 1000 rpm/V V in > 4 V : motor at full speed, speedloop off (open loop)
3	green	FG	Frequency generator output, 36 ppr ; R out = 4k 0hm (approx)
4	black	GND	Motor return, ground (0 V)
5	red	Vp	Motor supply voltage +24 V (min. 14 V - max 30 V)
6	bare	shield	Shield for cable and connected to motor housing

		min.	typ.	max.	
Lead 1	input 'high'	[V]	4.1	5	
	input 'low'	[V]	0	1.9	
	abs. max/min. input	[V]			±30
Lead 2	abs. max./min. input	[V]			±30
	output 'high', not loaded	[V]	4.0	4.5	5.0
Lead 3	output 'low', not loaded	[V]	0	0.1	0.2

Performance curve



Product combinations

- * Gearbox S64A
- * Gearbox P50A
- * Gearbox S69A
- * Gearbox P59A

Options

- * Square mounting flange
- * Speed loop with frequency input
- * Shaft diameter, 7 or 8 mm
- * Protection class upto IP67DS

Features

- * Adjustable speed loop
- * Direction control input (forward / reverse)
- * Frequency Generator output (speed sensing)
- * Thermal motor protection
- * Long life (20.000 hours)
- * Low EMI
- * Protection class IP54