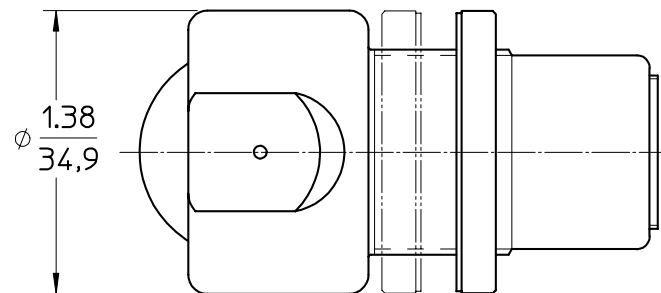
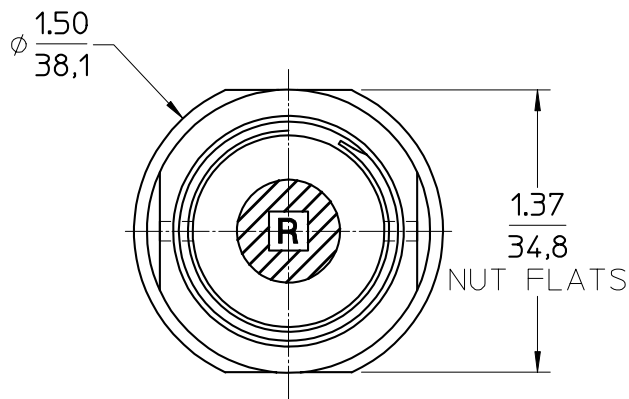
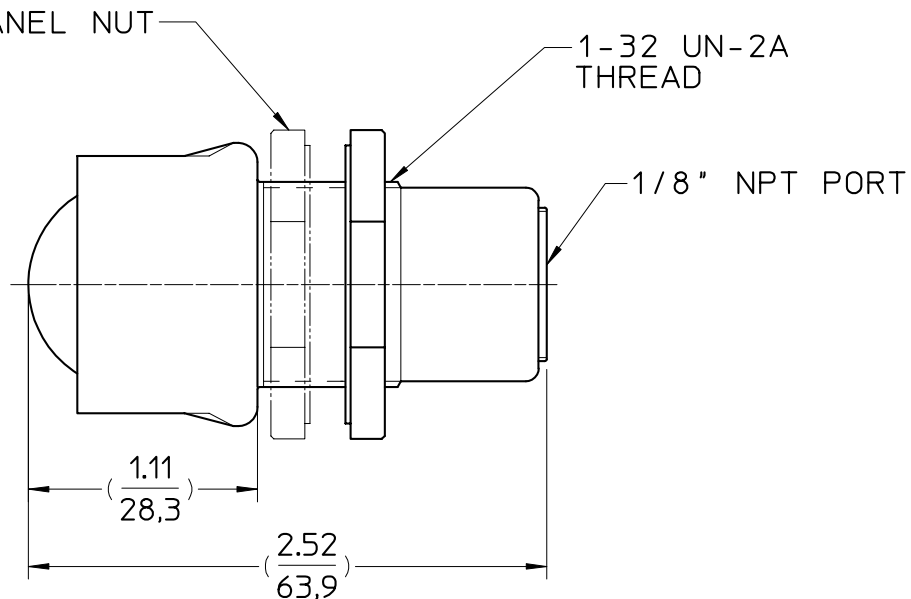


OPTIONAL EXTRA PANEL NUT  
(SUFFIX "-43E")

1-32 UN-2A  
THREAD

1/8" NPT PORT



STATUS INDICATOR VALVE

DRAWN BY NG 4-7-05	CHECKED BY JMC 4-7-05	ENG APP'D BN 4-7-05	INITL EWR NO 12945	TITLE
-----------------------	--------------------------	------------------------	-----------------------	-------

MATL #	SCALE 1.75:1	NEXT ASSY NONE	DRAWING SIZE B
-----------	-----------------	-------------------	-------------------

**UNLESS OTHERWISE SPECIFIED**  
 2 PLACE DECIMAL ± .010 ANGULAR DIMENSIONS ± 1/2°  
 3 PLACE DECIMAL ± .003 CORNERS & EDGES .010R  
 DIA'S ON SAME CENTERLINE CONCENTRIC WITHIN .006 T.I.R.  
 MACHINED SURFACES, FINISHED TO 64 R.M.S. MAX.

**ERSA** VERSA PRODUCTS CO., INC.  
 PARAMUS N.J., U.S.A.  
 VERSA BV, NETHERLANDS

A	NG 4-7-05	INITIAL RELEASE.	12945
	JMC 4-7-05		BN 4-7-05
LTR REVD/CKD BY		DESCRIPTION	EWR NO/APPD BY
REVISION LEVEL			

DO NOT SCALE DRAWING  
 THIS DRAWING IS CAD GENERATED AND THE PROPERTY OF VERSA PRODUCTS CO., INC.  
 USE AND/OR REPRODUCTION OF ANY PORTION MUST BE WITH THE APPROVAL OF VERSA

DWG. NO.  
**GS4-0001**