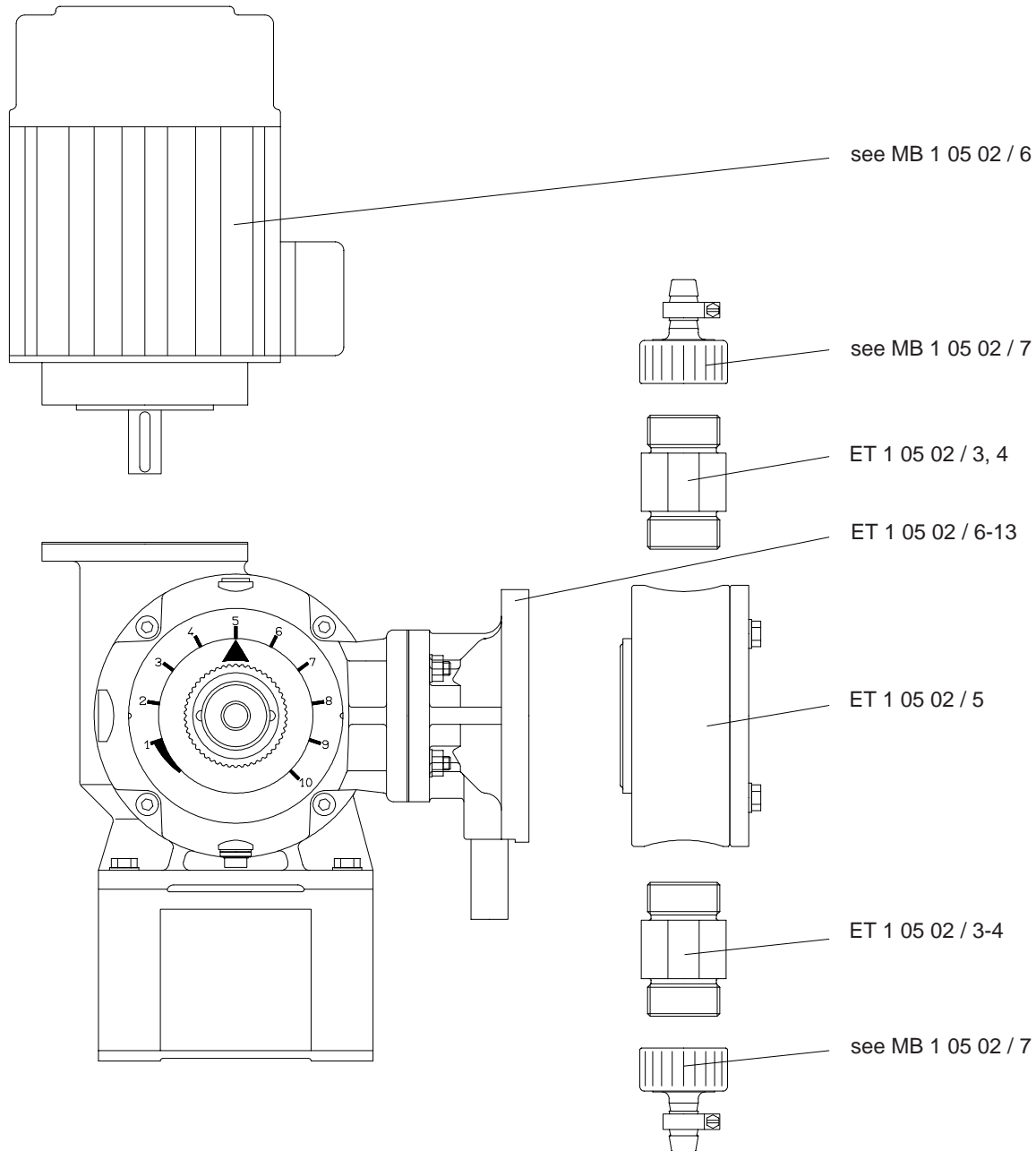


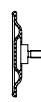












General view of modules



Diaphragm metering pump MEMDOS MR

Spare parts kits see ET 1 05 02 / 2

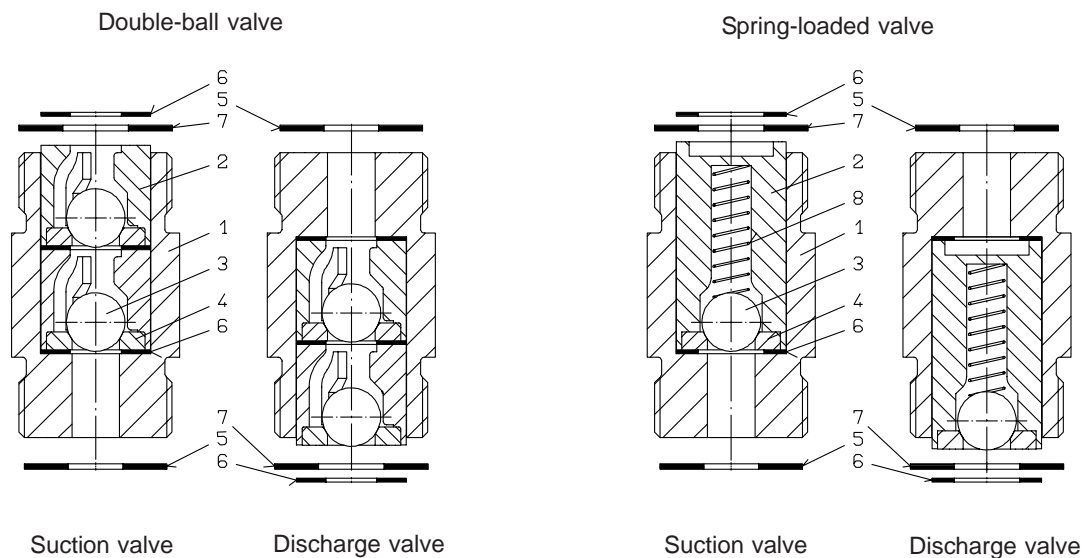
Spare parts kits

include:		Pump model:	Head / Seal materials:	Part No.
            	Diaphragm	MR 50 . . . 115	PP / Hypalon	25411
	Shaft packing		PP / Viton	25423
	Gaskets		1.4571 / AF	25435
	O-rings	MR 140 . . . 210	PP / Hypalon	25412
	Valve balls		PP / Viton	25424
	Valve seats		1.4571 / AF	25436
		MR 290	PP / Hypalon	25413
			PP / Viton	25425
			1.4571 / AF	25437
		MR 400 . . . 980 (until 07.97)	PP / Hypalon	25414
			PP / Viton	25426
			1.4571 / Hypalon	25438
			1.4571 / Viton	25267
		MR 400 . . . 980 (as of 08.97)	PP / Hypalon	34504
			PP / Viton	34505
			1.4571 / Hypalon	34506
		1.4571 / Viton	34507	

AF = asbestos-free

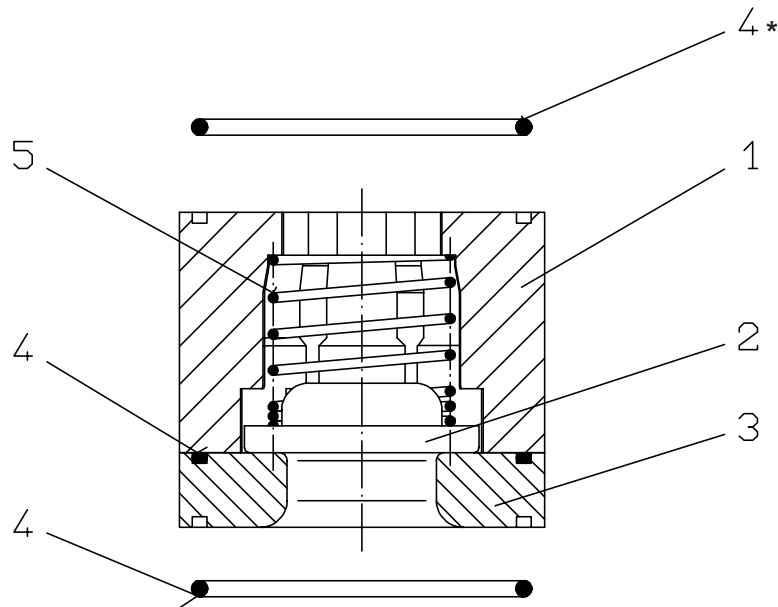
Diaphragm metering pump MEMDOS MR

DN 10 valves for MR 50 . . . 290



Item	Description	Material	Part No.	Double-ball valve						Spring-loaded valve					
				Suction valve			Discharge valve			Suction valve			Discharge valve		
				PP	1.4571		PP	1.4571		PP	1.4571		PP	1.4571	
				Seal materials: H=Hypalon, V=Viton, AF=asbestos-free											
	H	V	AF	H	V	AF	H	V	AF	H	V	AF			
	26841	26842	29694	27356	27357	29695	26845	25707	29696	27353	27354	29697			
1	Valve housing	PP	32453	1	1	—	1	1	—	1	1	—	1	1	—
		1.4571	32449	—	—	1	—	—	1	—	—	1	—	—	1
2	Ball guide	PP	34142	2	2	—	2	2	—	—	—	—	—	—	—
		1.4581	82112	—	—	2	—	—	2	—	—	—	—	—	—
		PP	22882	—	—	—	—	—	—	1	1	—	1	1	—
		1.4581	22881	—	—	—	—	—	—	—	1	—	—	—	1
3	Valve ball d 16	Glass	82457	2	2	—	2	2	—	1	1	—	1	1	—
		1.4401	82114	—	—	2	—	—	2	—	—	1	—	—	1
4	Valve seat	PP	82456	2	2	—	2	2	—	1	1	—	1	1	—
		1.4571	82113	—	—	2	—	—	2	—	—	1	—	—	1
5	Gasket	Hypalon	81035	1	—	—	1	—	—	1	—	—	1	—	—
		Viton	81198	—	1	—	—	1	—	—	1	—	—	1	—
		AF	81629	—	—	1	—	—	1	—	—	1	—	—	1
6	Gasket	Hypalon	81238	2	—	—	2	—	—	1	—	—	1	—	—
		Viton	81276	—	2	—	—	2	—	—	1	—	—	1	—
		AF	81627	—	—	3	—	—	3	—	—	2	—	—	2
7	Gasket	Hypalon	81239	1	—	—	1	—	—	1	—	—	1	—	—
		Viton	81277	—	1	—	—	1	—	—	1	—	—	1	—
8	Valve spring	Hastelloy	32577	—	—	—	—	—	—	1	1	1	1	1	1

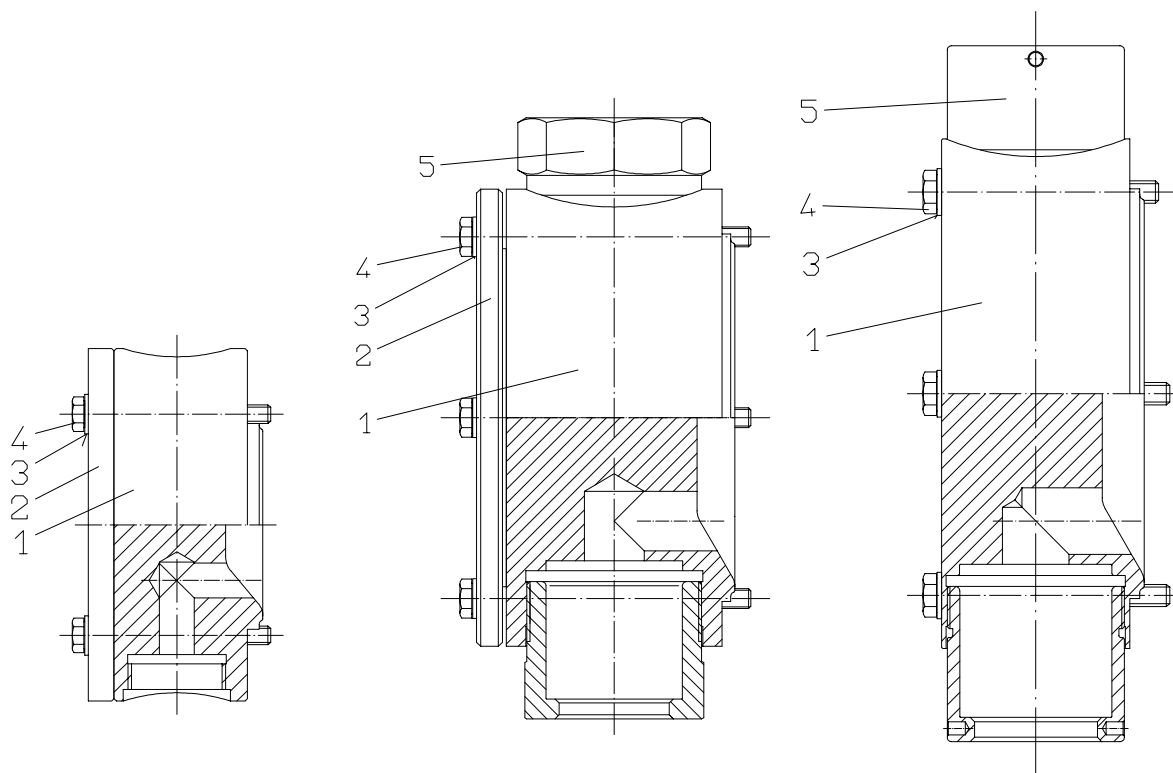
DN 25 valves for MR 400 . . . 980
(Design as of 08.97)



* For the stainless steel version, O-ring d 62x3 is used until 12.97.

Item	Description	Material	Part No.	Suction and discharge valve			
				PP		1.4571	
				EPDM	Viton	EPDM	Viton
				Valve assembly			
				23703	23704	23705	25681
1	Valve guide	PP	34463	1	1	—	—
		1.4581	34466	—	—	1	1
2	Valve disk	PVDF	34464	1	1	—	—
		1.4571	34467	—	—	1	1
3	Flat valve seat	PP	34465	1	1	—	—
		1.4571	34468	—	—	1	1
4	O-ring	EPDM	80626	3	—	3	—
		Viton	80092	—	3	—	3
5	Valve spring	Hastelloy	25217	1	1	1	1

Head assembly


 Head MR 50 ... 290
 Plastic/Stainless steel

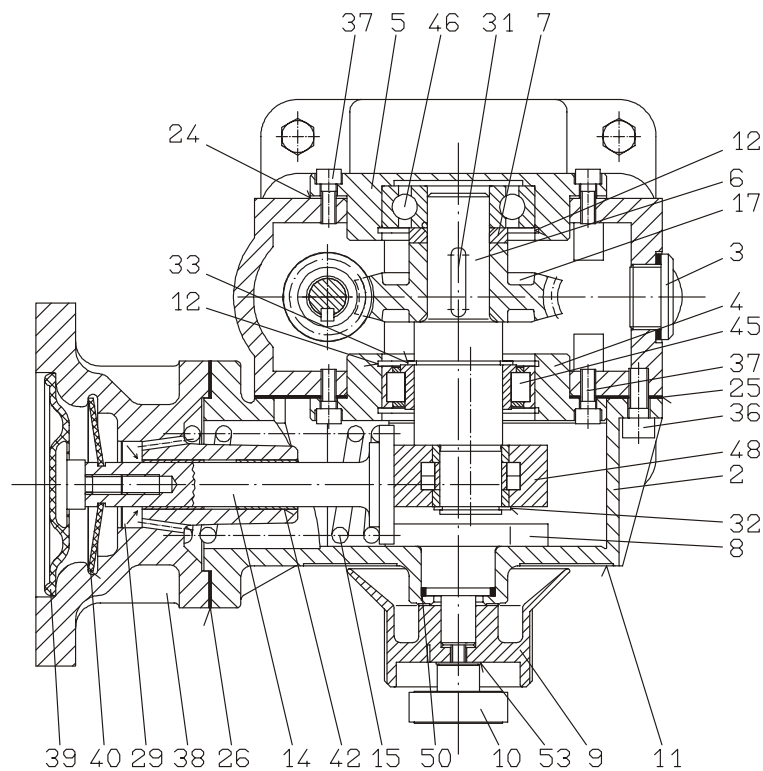
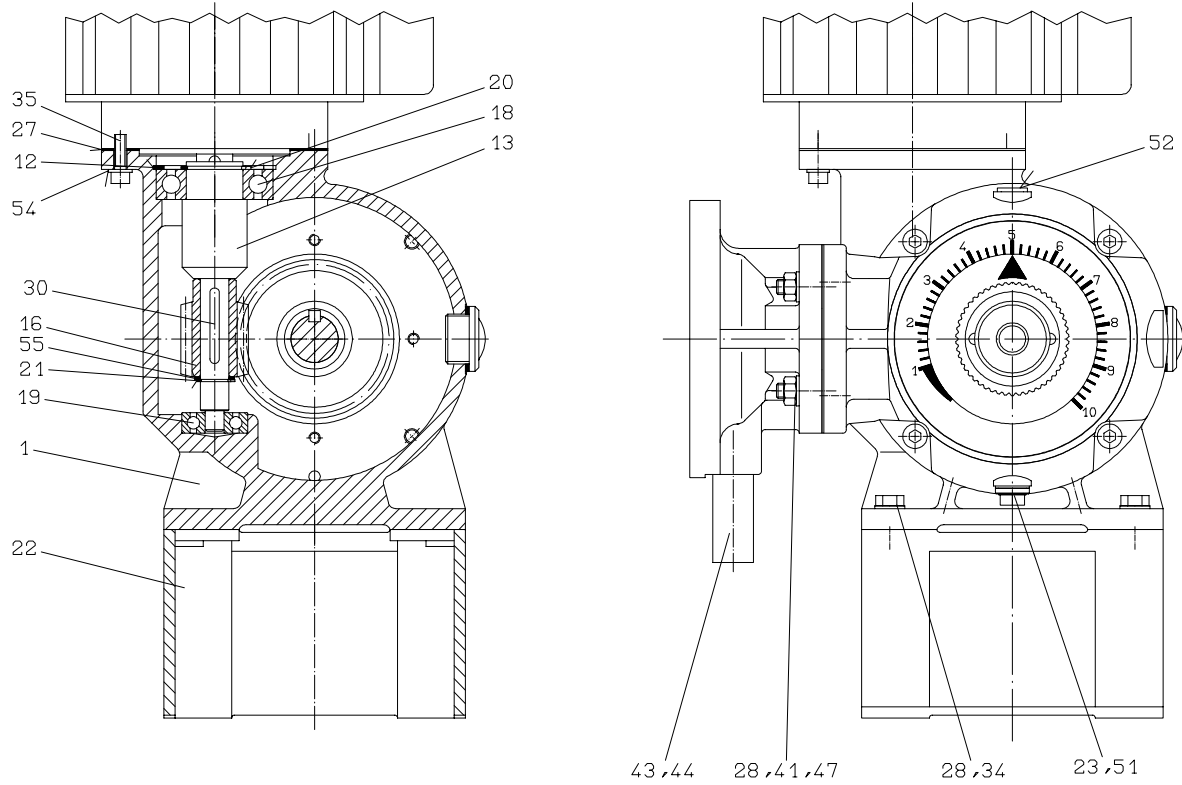
Plastic

Head MR 400 ... 980

Stainless steel

Item	Quantity	Description	Material	Head for Memdos MR							
				50/75/115		140/210		290		400/600/980	
				Plastic	St. steel	Plastic	St. steel	Plastic	St. steel	Plastic	St. steel
				23721	23727	23722	23728	23723	22334	23735	23736
1	1	Diaphragm housing	PP	22044	—	22046	—	22048	—	34710	—
	1	Diaphragm housing	1.4571	—	22392	—	22394	—	18824	—	32984
2	1	Plate	Al	18453	—	18453	—	18822	—	22612	—
3	4	Washer	A2	84174	84174	84174	84174	84174	84174	—	—
	6	Washer	A2	—	—	—	—	—	—	84029	84029
4	4	Hex. head screw	A2	83495	83542	83495	83542	83495	83230	—	—
	6	Hex. head screw	A2	—	—	—	—	—	—	83827	83755
5	2	Valve housing	1.4571	—	—	—	—	—	—	—	32983
	2	Valve housing	PP	—	—	—	—	—	—	34712	—

Single drive with manual capacity adjustment



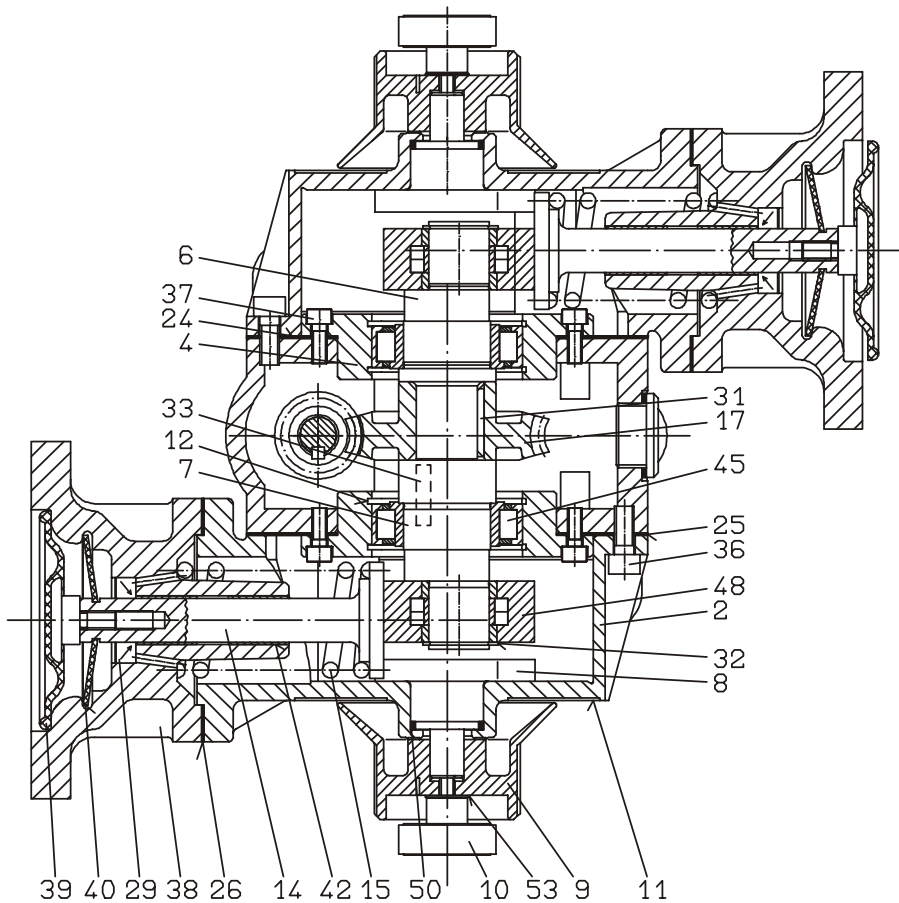
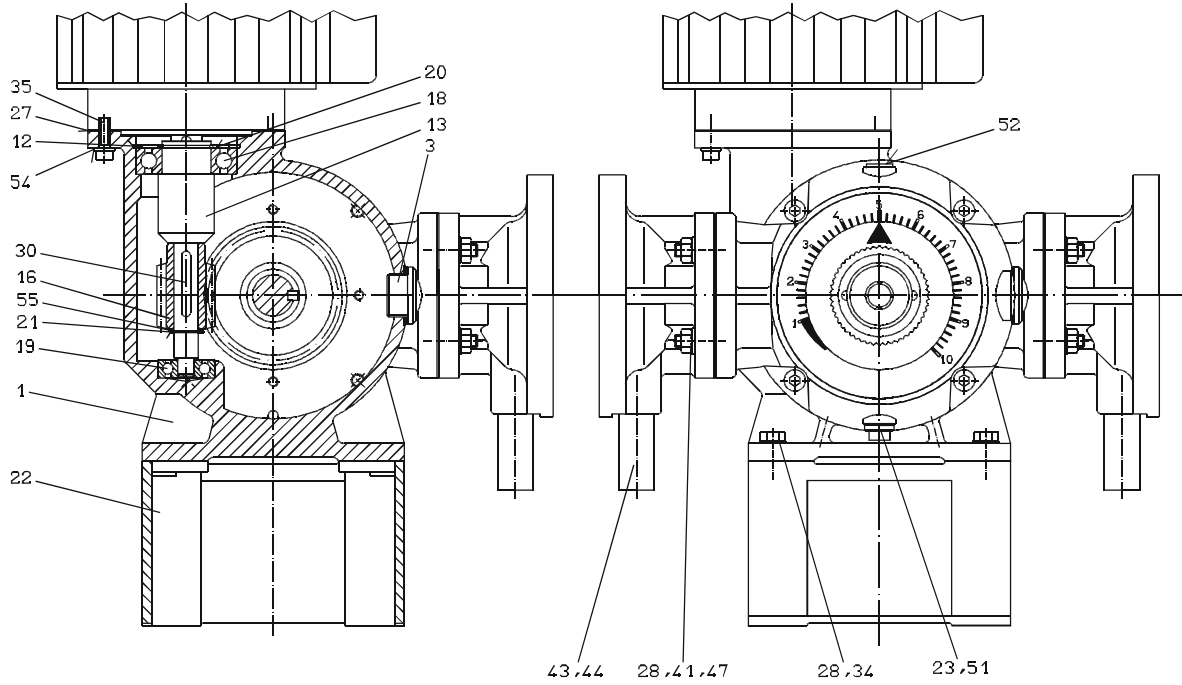
Single drive with manual capacity adjustment

Item	Description	Material	Part No.	MR 50	MR 75	MR 115	MR 140	MR 210	MR 290	MR 400	MR 600	MR 980
1	Gearbox	Cast iron	18317	1	1	1	1	1	1	1	1	1
2	Eccentric housing	Al	31216	1	1	1	1	1	1	1	1	1
3	Oil gauge	Plexi	82181	1	1	1	1	1	1	1	1	1
4	Bearing flange	Al	18308	1	1	1	1	1	1	1	1	1
5	Bearing flange	Al	18318	1	1	1	1	1	1	1	1	1
6	Eccentric shaft	St	21999	1	1	1	1	1	1	—	—	—
	Eccentric shaft	St	22031	—	—	—	—	—	—	1	1	1
7	Spacer	St	22001	1	1	1	1	1	1	1	1	1
8	Adjusting eccentric	Plastic	31218	1	1	1	1	1	1	—	—	—
	Adjusting eccentric (for ATE)	St	32696	1	1	1	1	1	1	—	—	—
	Adjusting eccentric	St	31219	—	—	—	—	—	—	1	1	1
9	Adjusting knob	Plastic	31217	1	1	1	1	1	1	1	1	1
10	Thumbscrew	Plastic	35798	1	1	1	1	1	1	1	1	1
11	Scale	Plastic	87416	1	1	1	1	1	1	1	1	1
12	Retaining ring	Spring St.	84004	4	4	4	4	4	4	4	4	4
13	Pinion shaft	St	18323	1	1	1	1	1	1	1	1	1
14	Diaphragm rod	1.4305	18450	1	1	1	—	—	—	—	—	—
	Diaphragm rod	1.4305	18455	—	—	—	1	1	1	1	1	1
15	Return spring	Spring St.	10833	1	1	1	1	1	1	1	1	1
16	Worm shaft 1:30	St	18362	1	—	—	—	—	—	1	—	—
	Worm shaft 1:21	St	22265	—	1	—	1	—	—	—	1	—
	Worm shaft 1:14	St	18332	—	—	1	—	1	1	—	—	1
17	Worm wheel 1:30	Bronze	18361	1	—	—	—	—	—	1	—	—
	Worm wheel 1:21	Bronze	22264	—	1	—	1	—	—	—	1	—
	Worm wheel 1:14	Bronze	26403	—	—	1	—	1	1	—	—	1
18	Ball bearing	St	86105	1	1	1	1	1	1	1	1	1
19	Ball bearing	St	86071	1	1	1	1	1	1	1	1	1
20	Retaining ring	Spring St.	84086	1	1	1	1	1	1	1	1	1
21	Retaining ring	Spring St.	84010	1	1	1	1	1	1	1	1	1
22	Housing base	Al	18461	1	1	1	1	1	1	1	1	1
23	Plug	Brass	82022	1	1	1	1	1	1	1	1	1
24	Seal d 120/90/1	AF	81245	1	1	1	1	1	1	1	1	1
25 ¹⁾	Seal d 165/90/1	AF	81249	1	1	1	1	1	1	1	1	1
26	Seal d 100/70/1	AF	81246	1	1	1	1	1	1	1	1	1
27	Seal d 120/80/1	AF	81247	1	1	1	1	1	1	1	1	1
28	Washer	A2	84131	8	8	8	8	8	8	8	8	8
29	Sealing ring	St/Gi	80502	1	1	1	1	1	1	1	1	1
30	Adjusting spring	St	83419	1	1	1	1	1	1	1	1	1
31	Adjusting spring	St	83569	1	1	1	1	1	1	1	1	1
32	Retaining ring	Spring St.	84003	1	1	1	1	1	1	1	1	1
33	Retaining ring	Spring St.	84016	1	1	1	1	1	1	1	1	1
34	Hex. head screw	A2	83701	4	4	4	4	4	4	4	4	4
35	Hex. head screw	8.8 galv.	83041	3	3	3	3	3	3	3	3	3
36	Hex. head screw	8.8 galv.	83536	4	4	4	4	4	4	4	4	4
37	Screw	8.8 galv.	83040	8	8	8	8	8	8	8	8	8

Single drive with manual capacity adjustment

Item	Description	Material	Part No.	MR 50	MR 75	MR 115	MR 140	MR 210	MR 290	MR 400	MR 600	MR 980
38	Diaphragm chamber d 90	Al	23731	1	1	1	—	—	—	—	—	—
	Diaphragm chamber d 120	Al	23732	—	—	—	1	1	—	—	—	—
	Diaphragm chamber d 150	Al	23733	—	—	—	—	—	1	—	—	—
	Diaphragm chamber d 185	Al	23734	—	—	—	—	—	—	1	1	1
39	Diaphragm d 90	PTFE	81466	1	1	1	—	—	—	—	—	—
	Diaphragm d 120	PTFE	81467	—	—	—	1	1	—	—	—	—
	Diaphragm d 150	PTFE	81468	—	—	—	—	—	1	—	—	—
	Diaphragm d 185	PTFE	81469	—	—	—	—	—	—	1	1	1
40	Sep. diaphragm d 90	Hypalon	22057	1	1	1	—	—	—	—	—	—
	Sep. diaphragm d 120	Hypalon	22058	—	—	—	1	1	—	—	—	—
	Sep. diaphragm d 150	Hypalon	22059	—	—	—	—	—	1	—	—	—
	Sep. diaphragm d 185	Hypalon	22060	—	—	—	—	—	—	1	1	1
41	Setscrew	8.8 galv.	83145	4	4	4	4	4	4	4	4	4
42	Bush	St/PTFE	19130	2	2	2	2	2	2	2	2	2
43	O-ring	Viton	80046	1	1	1	1	1	1	1	1	1
44	Leakage pipe	PVC/Viton	25193	1	1	1	1	1	1	1	1	1
45	Roller case	St	86103	1	1	1	1	1	1	1	1	1
46	Ball bearing	St	86003	1	1	1	1	1	1	1	1	1
47	Hexagonal nut	8.8 galv.	83056	4	4	4	4	4	4	4	4	4
48	Backing bearing	St	86104	1	1	1	1	1	1	1	1	1
50	O-ring	Perbunan	80036	1	1	1	1	1	1	1	1	1
51	Gasket	Cu	81722	1	1	1	1	1	1	1	1	1
52	Plug	PE	83019	1	1	1	1	1	1	1	1	1
53	Plate spring	1.4310	84221	1	1	1	1	1	1	1	1	1
54	Washer	A2	84160	3	3	3	3	3	3	3	3	3
55	Supporting disk	Spring St.	83733	1	1	1	1	1	1	1	1	1

¹⁾ Replacement seal d 165/121/1, material AF, Part No. 81714



Diaphragm metering pump MEMDOS MR

Duplex drive with equal heads

Item	Description	Material	Part No.	ZMR 50/50	ZMR 75/75	ZMR 115/115	ZMR 140/140	ZMR 210/210	ZMR 290/290	ZMR 400/400	ZMR 600/600	ZMR 980/980
1	Gearbox	Cast iron	23781	1	1	1	1	1	1	1	1	1
2	Eccentric housing	Al	31216	2	2	2	2	2	2	2	2	2
3	Oil gauge	Plexi	82181	1	1	1	1	1	1	1	1	1
4	Bearing flange	Al	18308	2	2	2	2	2	2	2	2	2
6	Eccentric shaft	St	22806	1	1	1	1	1	1	—	—	—
	Eccentric shaft	St	22808	—	—	—	—	—	—	1	1	1
7	Eccentric shaft	St	22807	—	—	—	—	—	—	1	1	1
	Eccentric shaft	St	22921	1	1	1	1	1	1	—	—	—
8	Adjusting eccentric	Plastic	31218	1	1	1	1	1	1	—	—	—
	Adjusting eccentric (for ATE)	St.	32696	1	1	1	1	1	1	—	—	—
	Adjusting eccentric	St	31219	—	—	—	—	—	—	1	1	1
9	Adjusting knob	Plastic	31217	2	2	2	2	2	2	2	2	2
10	Thumbscrew	Plastic	35798	2	2	2	2	2	2	2	2	2
11	Scale	Plastic	87416	2	2	2	2	2	2	2	2	2
12	Retaining ring	Spring St.	84004	5	5	5	5	5	5	5	5	5
13	Pinion shaft	St	18323	1	1	1	1	1	1	1	1	1
14	Diaphragm rod	1.4305	18450	2	2	2	—	—	—	—	—	—
	Diaphragm rod	1.4305	18455	—	—	—	2	2	2	2	2	2
15	Return spring	Spring St.	10833	2	2	2	2	2	2	2	2	2
16	Worm shaft 1:30	St	18362	1	—	—	—	—	—	1	—	—
	Worm shaft 1:21	St	22265	—	1	—	1	—	—	—	1	—
	Worm shaft 1:14	St	18332	—	—	1	—	1	1	—	—	1
17	Worm wheel 1:30	Bronze	18361	1	—	—	—	—	—	1	—	—
	Worm wheel 1:21	Bronze	22264	—	1	—	1	—	—	—	1	—
	Worm wheel 1:14	Bronze	26403	—	—	1	—	1	1	—	—	1
18	Ball bearing	St	86105	1	1	1	1	1	1	1	1	1
19	Ball bearing	St	86071	1	1	1	1	1	1	1	1	1
20	Retaining ring	Spring St.	84086	1	1	1	1	1	1	1	1	1
21	Retaining ring	Spring St.	84010	1	1	1	1	1	1	1	1	1
22	Housing base	Al	18461	1	1	1	1	1	1	1	1	1
23	Plug	Brass	82022	2	2	2	2	2	2	2	2	2
25 ¹⁾	Seal d 165/90/1	AF	81249	2	2	2	2	2	2	2	2	2
26	Seal d 100/70/1	AF	81246	2	2	2	2	2	2	2	2	2
27	Seal d 120/80/1	AF	81247	1	1	1	1	1	1	1	1	1
28	Washer	A2	84131	16	16	16	16	16	16	16	16	16
29	Sealing ring	St/Gi	80502	2	2	2	2	2	2	2	2	2
30	Adjusting spring	St	83419	1	1	1	1	1	1	1	1	1
31	Adjusting spring	St	83569	1	1	1	1	1	1	1	1	1
32	Retaining ring	Spring St.	84003	2	2	2	2	2	2	2	2	2
33	Adjusting spring	St	83562	1	1	1	1	1	1	1	1	1
34	Hex. head screw	A2	83701	4	4	4	4	4	4	4	4	4
35	Hex. head screw	8.8 galv.	83041	3	3	3	3	3	3	3	3	3
36	Hex. head screw	8.8 galv.	83536	8	8	8	8	8	8	8	8	8
37	Screw	8.8 galv.	83040	8	8	8	8	8	8	8	8	8

Duplex drive with equal heads

Item	Description	Material	Part No.	ZMR 50/50	ZMR 75/75	ZMR 115/115	ZMR 140/140	ZMR 210/210	ZMR 290/290	ZMR 400/400	ZMR 600/600	ZMR 980/980
38	Diaphragm chamber d 90	Al	23731	2	2	2	—	—	—	—	—	—
	Diaphragm chamber d 120	Al	23732	—	—	—	2	2	—	—	—	—
	Diaphragm chamber d 150	Al	23733	—	—	—	—	—	2	—	—	—
	Diaphragm chamber d 185	Al	23734	—	—	—	—	—	—	2	2	2
39	Diaphragm d 90	PTFE	81466	2	2	2	—	—	—	—	—	—
	Diaphragm d 120	PTFE	81467	—	—	—	2	2	—	—	—	—
	Diaphragm d 150	PTFE	81468	—	—	—	—	—	2	—	—	—
	Diaphragm d 185	PTFE	81469	—	—	—	—	—	—	2	2	2
40	Sep. diaphragm d 90	Hypalon	22057	2	2	2	—	—	—	—	—	—
	Sep. diaphragm d 120	Hypalon	22058	—	—	—	2	2	—	—	—	—
	Sep. diaphragm d 150	Hypalon	22059	—	—	—	—	—	2	—	—	—
	Sep. diaphragm d 185	Hypalon	22060	—	—	—	—	—	—	2	2	2
41	Setscrew	8.8 galv.	83145	8	8	8	8	8	8	8	8	8
42	Bush	St/PTFE	19130	4	4	4	4	4	4	4	4	4
43	O-ring	Viton	80046	2	2	2	2	2	2	2	2	2
44	Leakage pipe	PVC/Viton	25193	2	2	2	2	2	2	2	2	2
45	Roller case	St	86103	2	2	2	2	2	2	2	2	2
47	Hexagonal nut	8.8 galv.	83056	16	16	16	16	16	16	16	16	16
48	Backing bearing	St	86104	2	2	2	2	2	2	2	2	2
50	O-ring	Perbunan	80036	2	2	2	2	2	2	2	2	2
51	Gasket	Cu	81722	2	2	2	2	2	2	2	2	2
52	Plug	PE	83019	2	2	2	2	2	2	2	2	2
53	Plate spring	1.4310	84221	2	2	2	2	2	2	2	2	2
54	Washer	A2	84160	3	3	3	3	3	3	3	3	3
55	Supporting disk	Spring St.	83733	1	1	1	1	1	1	1	1	1

¹⁾ Replacement seal d 165/121/1, material AF, Part No. 81714

Duplex drive with different heads

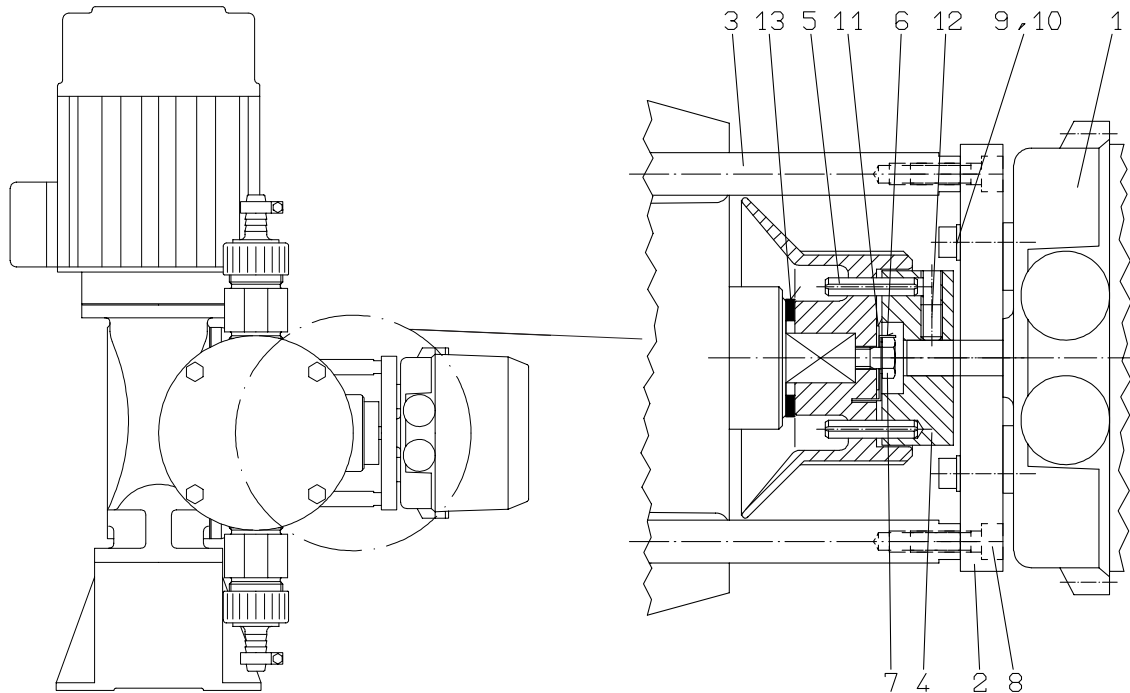
Item	Description	Material	Part No.	ZMR 50/400	ZMR 75/140	ZMR 75/600	ZMR 115/210	ZMR 115/290	ZMR 115/980	ZMR 140/600	ZMR 210/290	ZMR 210/980	ZMR 290/980
1	Gear box	Cast iron	23781	1	1	1	1	1	1	1	1	1	1
2	Eccentric housing	Al	31216	2	2	2	2	2	2	2	2	2	2
3	Oil gauge	Plexi	82181	1	1	1	1	1	1	1	1	1	1
4	Bearing flange	Al	18308	2	2	2	2	2	2	2	2	2	2
6	Eccentric shaft	St	22806	1	1	1	1	1	1	1	1	1	1
7	Eccentric shaft	St	22921	—	1	—	1	1	—	—	1	—	—
	Eccentric shaft	St	22807	1	—	1	—	—	1	1	—	1	1
8	Adjusting eccentric	Plastic	31218	1	2	1	2	2	1	1	2	1	1
	Adjusting eccentric (for ATE)	St	32696	1	2	1	2	2	1	1	2	1	1
	Adjusting eccentric	St	31219	1	—	1	—	—	1	1	—	1	1
9	Adjusting knob	Plastic	31217	2	2	2	2	2	2	2	2	2	2
10	Thumbscrew	Plastic	35798	2	2	2	2	2	2	2	2	2	2
11	Scale	Plastic	87416	2	2	2	2	2	2	2	2	2	2
12	Retaining ring	Spring St.	84004	5	5	5	5	5	5	5	5	5	5
13	Pinion shaft	St	18323	1	1	1	1	1	1	1	1	1	1
14	Diaphragm rod	1.4305	18450	1	1	1	1	1	1	—	—	—	—
	Diaphragm rod	1.4305	18455	1	1	1	1	1	1	2	2	2	2
15	Return spring	Spring St.	10833	2	2	2	2	2	2	2	2	2	2
16	Worm shaft 1:30	St	18362	1	—	—	—	—	—	—	—	—	—
	Worm shaft 1:21	St	22265	—	1	1	—	—	—	1	—	—	—
	Worm shaft 1:14	St	18332	—	—	—	1	1	1	—	1	1	1
17	Worm wheel 1:30	Bronze	18361	1	—	—	—	—	—	—	—	—	—
	Worm wheel 1:21	Bronze	22264	—	1	1	—	—	—	1	—	—	—
	Worm wheel 1:14	Bronze	26403	—	—	—	1	1	1	—	1	1	1
18	Ball bearing	St	86105	1	1	1	1	1	1	1	1	1	1
19	Ball bearing	St	86071	1	1	1	1	1	1	1	1	1	1
20	Retaining ring	Spring St.	84086	1	1	1	1	1	1	1	1	1	1
21	Retaining ring	Spring St.	84010	1	1	1	1	1	1	1	1	1	1
22	Housing base	Al	18461	1	1	1	1	1	1	1	1	1	1
23	Plug	Brass	82022	2	2	2	2	2	2	2	2	2	2
25 ¹⁾	Seal d 165/90/1	AF	81249	2	2	2	2	2	2	2	2	2	2
26	Seal d 100/70/1	AF	81246	1	1	1	1	1	1	1	1	1	1
27	Seal d 120/80/1	AF	81247	1	1	1	1	1	1	1	1	1	1
28	Washer	A2	84131	16	16	16	16	16	16	16	16	16	16
29	Sealing ring	St/Gi	80502	2	2	2	2	2	2	2	2	2	2
30	Adjusting spring	St	83419	1	1	1	1	1	1	1	1	1	1
31	Adjusting spring	St	83569	1	1	1	1	1	1	1	1	1	1
32	Retaining ring	Spring St.	84003	2	2	2	2	2	2	2	2	2	2
33	Adjusting spring	St	83562	1	1	1	1	1	1	1	1	1	1
34	Hex. head screw	A2	83701	4	4	4	4	4	4	4	4	4	4
35	Hex. head screw	8.8 galv.	83041	3	3	3	3	3	3	3	3	3	3
36	Hex. head screw	8.8 galv.	83536	8	8	8	8	8	8	8	8	8	8
37	Screw	8.8 galv.	83040	8	8	8	8	8	8	8	8	8	8

Duplex drive with different heads

Item	Description	Material	Part No.	ZMR 50/400	ZMR 75/140	ZMR 75/600	ZMR 115/210	ZMR 115/290	ZMR 115/980	ZMR 140/600	ZMR 210/290	ZMR 210/980	ZMR 290/980
38	Diaphragm chamber d 90	Al	23731	1	1	1	1	1	1	—	—	—	—
	Diaphragm chamber d 120	Al	23732	—	1	—	1	—	—	1	1	1	—
	Diaphragm chamber d 150	Al	23733	—	—	—	—	1	—	—	1	—	1
	Diaphragm chamber d 185	Al	23734	1	—	1	—	—	1	1	—	1	1
39	Diaphragm d 90	PTFE	81466	1	1	1	1	1	1	—	—	—	—
	Diaphragm d 120	PTFE	81467	—	1	—	1	—	—	1	1	1	—
	Diaphragm d 150	PTFE	81468	—	—	—	—	1	—	—	1	—	1
	Diaphragm d 185	PTFE	81469	1	—	1	—	—	1	1	—	1	1
40	Sep. diaphragm d 90	Hypalon	22057	1	1	1	1	1	1	—	—	—	—
	Sep. diaphragm d 120	Hypalon	22058	—	1	—	1	—	—	1	1	1	—
	Sep. diaphragm d 150	Hypalon	22059	—	—	—	—	1	—	—	1	—	1
	Sep. diaphragm d 185	Hypalon	22060	1	—	1	—	—	1	1	—	1	1
41	Setscrew	8.8 galv.	83145	1	1	1	1	1	1	1	1	1	1
42	Bush	ST/PTFE	19130	4	4	4	4	4	4	4	4	4	4
43	O-ring	Viton	80046	2	2	2	2	2	2	2	2	2	2
44	Leakage pipe	PVC/Viton	25193	2	2	2	2	2	2	2	2	2	2
45	Roller case	St	86103	2	2	2	2	2	2	2	2	2	2
47	Hexagonal nut	8.8 galv.	83056	16	16	16	16	16	16	16	16	16	16
48	Backing bearing	St	86104	2	2	2	2	2	2	2	2	2	2
50	O-ring	Perbunan	80036	2	2	2	2	2	2	2	2	2	2
51	Gasket	Cu	81722	2	2	2	2	2	2	2	2	2	2
52	Plug	PE	83019	2	2	2	2	2	2	2	2	2	2
53	Plate spring	1.4310	84221	2	2	2	2	2	2	2	2	2	2
54	Washer	A2	84160	3	3	3	3	3	3	3	3	3	3
55	Supporting disk	Spring St.	83733	1	1	1	1	1	1	1	1	1	1

¹⁾ Replacement seal d 165/121/1, material AF, Part No. 81714

ATE drive



Item	Description	Material	Part No.	MR 50-980 1x 31226	ZMR 50-980 2x 31226
1	ATE servomotor 230 V	misc.	78747	1	2
2	Support	Al	31223	1	2
3	Spacer bolt	1.4571	31224	4	8
4	Coupling d 10	1.4571	31225	1	2
5	Clamping pin d 5x26	St	83102	2	4
6	Locking plate	St	84222	1	2
7	Hex. head screw	A2	83748	1	8
8	Screw	A2	83619	4	8
9	Washer	A2	84164	4	8
10	Screw	A2	83268	4	8
11	Plate spring	1.4310	84221	1	2
12	Setscrew M 8x20	A2	34221	1	2
13	Washer	Brass	32132	1	2