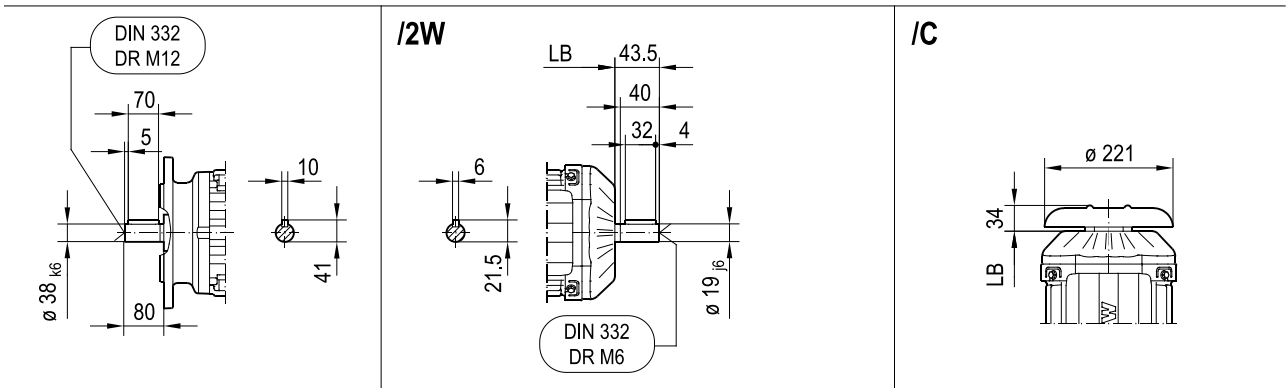
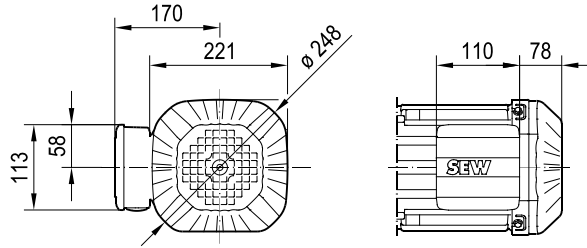


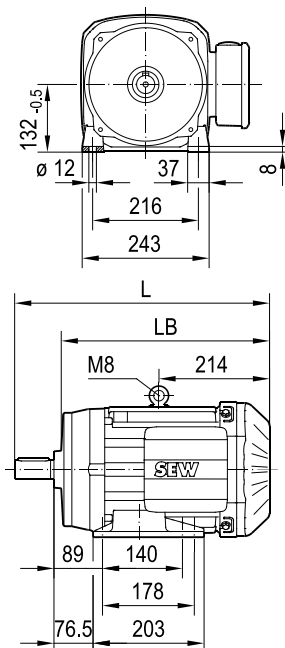
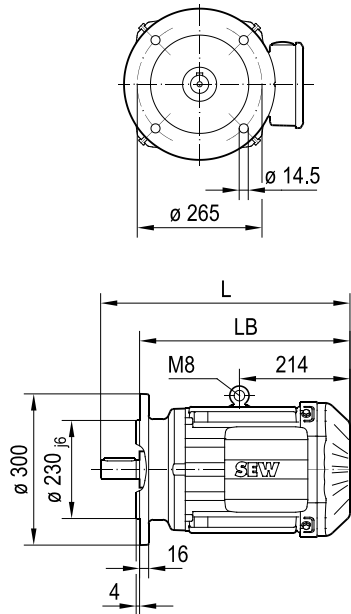
DRN132S 2,4,6,8

08 572 02 14
1(2)



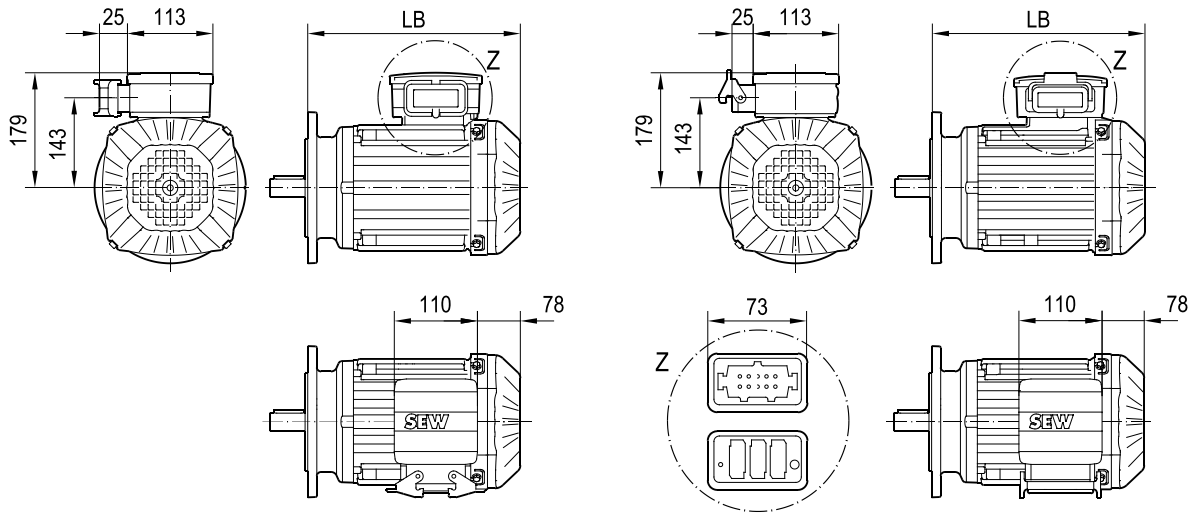
/FF (B5) FF265D300

/FI (B3)

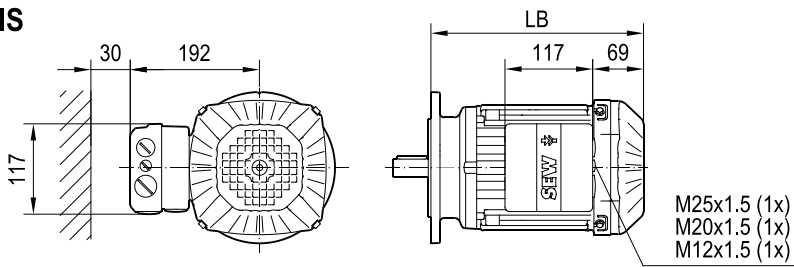


(→)	132S(B)							
L	517							
LB (B5/B14)	437							
LB (B3)	435							

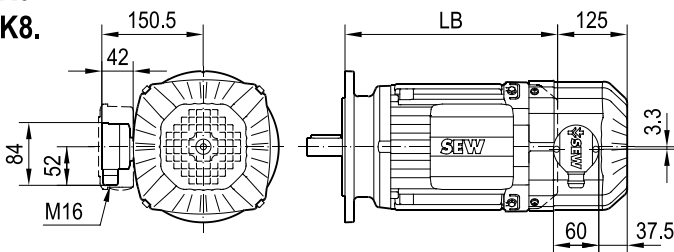
/IV



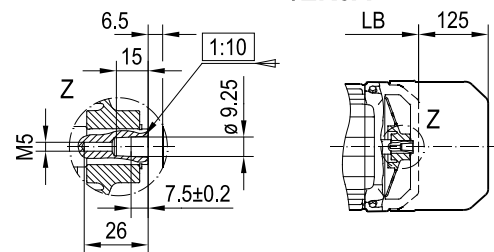
/IS



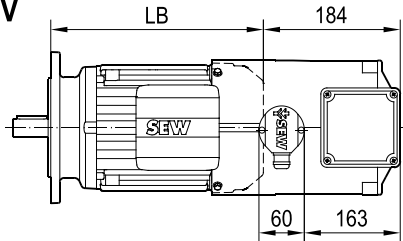
**/EK8.
/AK8.**



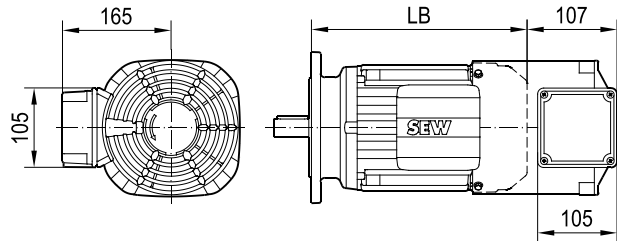
/EK8A



**/EK8./V
/AK8./V**



/V



(→ □)	132S(B)							
L	517							
LB (B5/B14)	437							
LB (B3)	435							