

# Field-type I/P Converter

## Model KUX113

### OVERVIEW

Field-type I/P Converter (Model KUX113) is a compact, lightweight, high-accuracy electrical signal/pneumatic signal converter that offers an easy-to-handle interface between an electronic instrument and a pneumatically-operated control valve.

Adopting a 2-wire system, the KUX113 does not require on-site power supply wiring.

### China RoHS

This device is used in the Oil & Gas, Petrochemical, Chemical, Pulp & Paper, Food & Beverage, Machinery, Steel/Metal & Mining, and Automobile industries and therefore does not fall under the China RoHS Legislation. If this device is used in semiconductor manufacturing equipment, labeling on the device and documents for the China RoHS may be required. If such documents are required, consult an Azbil Corp. representative.



### SPECIFICATIONS

Item	Specifications
Input signal	4 to 20mA DC
Input resistance	250Ω MAX.
Output signal	20 to 98 kPa {0.2 to 1.0 kgf/cm <sup>2</sup> }, 3 to 15 psi, 0.2 to 1.0 bar, 20 to 100 kPa (Maximum allowable pressure 200kPa {2 kg/cm <sup>2</sup> })
Air supply pressure	140kPa {1.4 kgf/cm <sup>2</sup> } ±10 %
Air consumption	4 Nl/min (With output 50% balanced)
Maximum air supply capacity	110 Nl/min.
Maximum air exhaust capacity	110 Nl/min.
Minimum load capacity	I.D. 4 mm copper tube × 3 m + 20 cc
Air piping connections	Rc1/4, 1/4NPT internal thread
Electrical conduit connection	G1/2 internal thread
Material of major components	Aluminum alloy
Operating temperature range	Waterproof, dustproof type : -30 to +80°C
	TIIS Flame-proof and Intrinsic-safety explosionproof type : -10 to +60°C
	FM Flame-proof and Intrinsic-safety explosionproof type : -30 to +80°C
Operating humidity range	10 to 90 %RH
Accuracy	±0.5 %F.S.
Hysteresis error	Within 0.5%F.S.
Temperature effect	Zero shift : ±3 %F.S./30°C(MAX), Span shift : ±2 %F.S./30°C(MAX)
Mounting	2 inch pipe (Horizontal or vertical)
Net weight	Approx. 3 kg
Finish and color	Finish : Acryl baked finish
	Color : Case ; Dark beige, Cover, Terminal box cover ; Light beige
Construction	JIS C 0920 Watertight, JIS F 8001 Class 3 Splashproof structure
	TIIS Flame-proof explosion-proof structure d2G4
	TIIS Intrinsic-safety explosion-proof structure i3aG5, using Zener barrier 8907/51-24/45 (Approval No.29911)
	FM Flame-proof structure : Class I, Division 1, group B, C, D, NEMA TYPE 4X
	FM Intrinsic-safety structure : Class I, II, III, Division 1, Group A, B, C, D, E, F, G, NEMA TYPE 4X

Model Number Table

Basic Model No.	Selections						Options	Description
	Power Supply	Case type	Input	Output	Connections	Environments		
KUX113	-X							Field-type I/P converter
								Not necessary
		W						Waterproof
		E						TIIS Flame-proof explosion-proof
		H						TIIS Intrinsic-safety explosion-proof
			1					4 to 20 mA DC
				1				20 to 98 kPa {0.2 to 1.0 kgf/cm <sup>2</sup> }
				3				0.2 to 1.0 bar
				4				20 to 100 kPa
					A			Rc1/4
					B			1/4NPT
						X		Standard
						A		Corrosion-resistant paint
						B		Heavy-corrosion-resistant paint
						D		Silver finish
							-X	No options
							-P	With flameproof-packing-type cable connecting adapter
							-G	With output air pressure gauge
							-6	With by-pass set (on special order)
							-7	With air-set
						-J	With elbow for flame-proof type	
						-N	Electrical conduit connection 1/2 NPT	

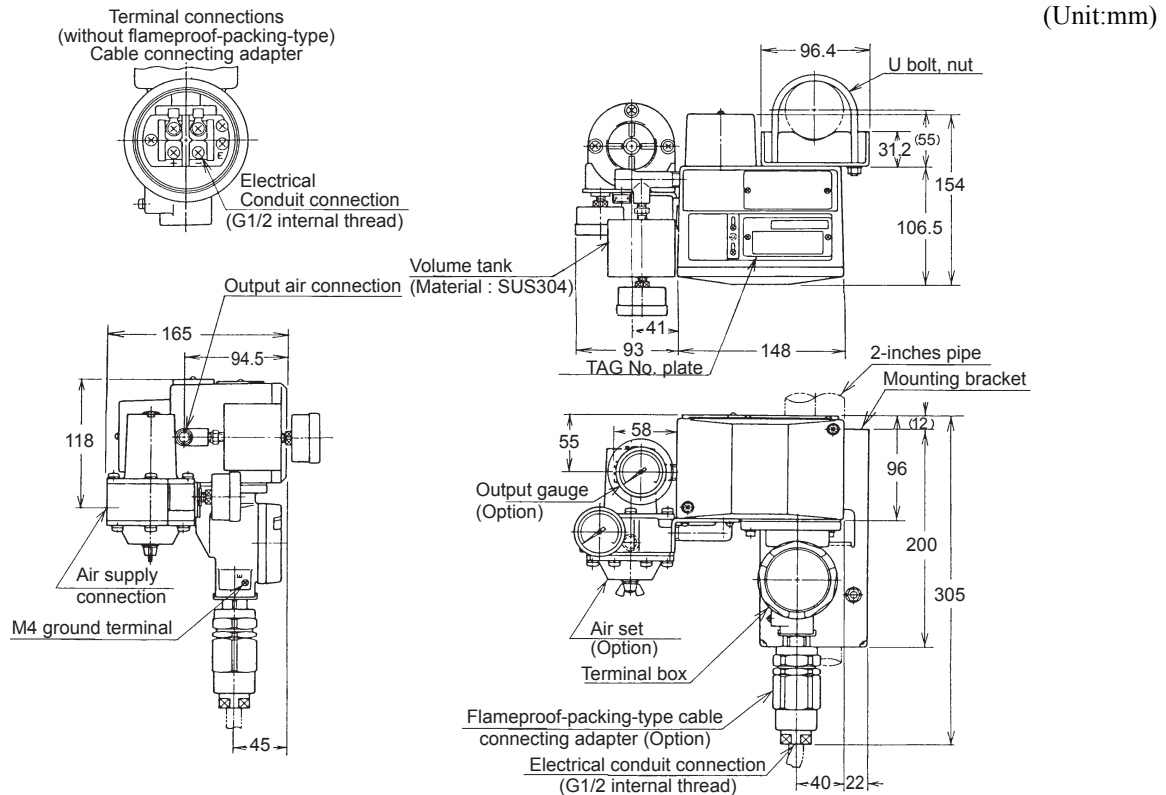


Figure 1 Dimension Drawing

Note

Please, read 'Terms and Conditions' from following URL before the order and use.

<http://www.azbil.com/products/bi/order.html>

*Specifications are subject to change without notice.*

**azbil**

**Azbil Corporation**  
Advanced Automation Company

1-12-2 Kawana, Fujisawa  
Kanagawa 251-8522 Japan  
URL: <http://www.azbil.com/>

8th edition: July 2015

*No part of this publication may be reproduced or duplicated without the prior written permission of Azbil Corporation.*