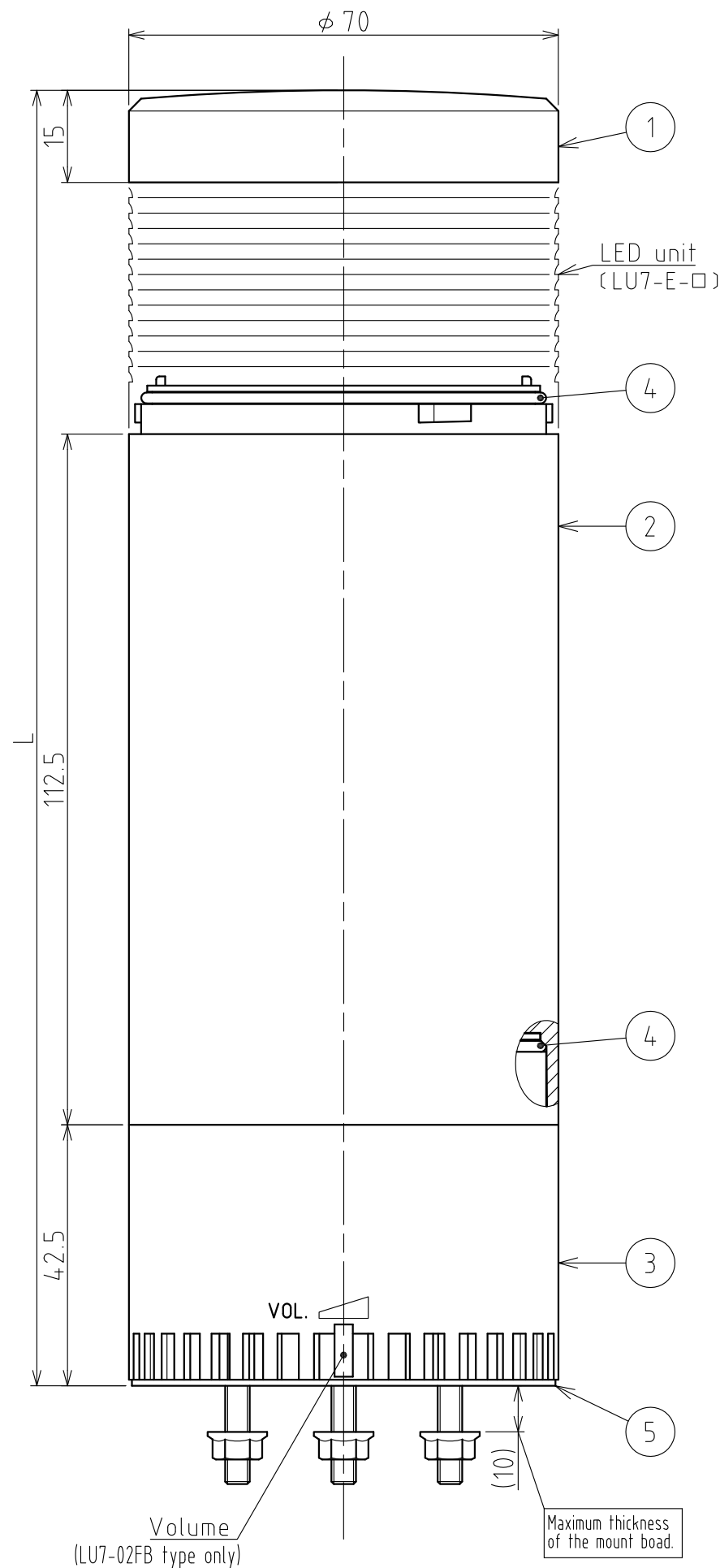
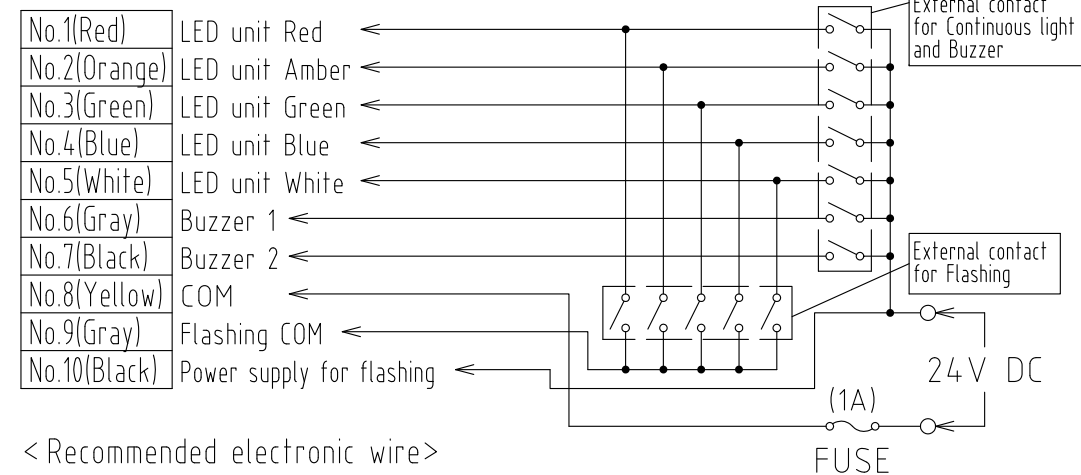
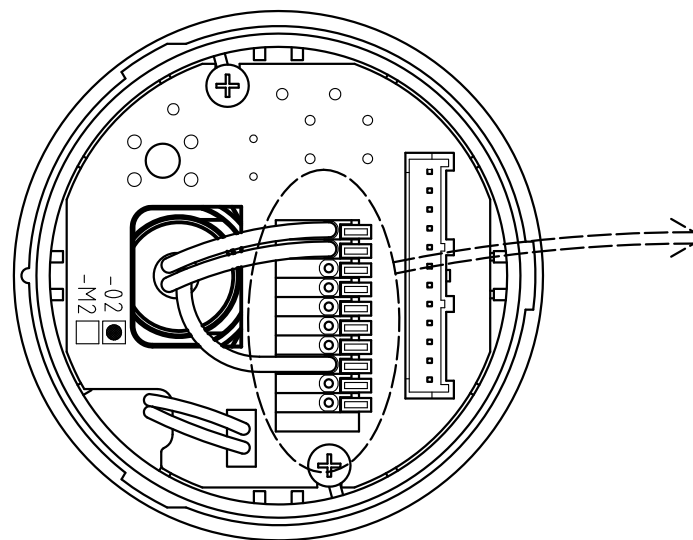


SPECIFICATIONS

Model	LU7-02 (Base unit)	LU7-02FB (Base unit with Flashing and Buzzer)	
Rated voltage	24V DC		
Operating voltage	Rated voltage $\pm 10\%$ (21.6~26.4V DC)		
Buzzer	————	Buzzer 1 (Continuous sound)	Buzzer 2 (Intermittent sound)
Current consumption	————	50 \pm 10 mA	24 \pm 10 mA
Inrush current	————	Max 100 mA	
Power consumption	————	1.2 \pm 0.25 W	0.58 \pm 0.25 W
Sound level	————	Max: 90 \pm 5 dB (at 1m) Min: Less than 70 dB	
Flashing cycle	————	60 \pm 12 flashes per minute	
Operating temperature range	-30°C ~ +60°C (Less than 90%)		
Mounting direction	Upright, indoor only		
Protection rating	IP65 IP66(With cable gland)		
Vibration proof	LED 1 unit	44.1m/s ² (4.5G)	10~150Hz
	LED 2 unit		
	LED 3 unit	18.6m/s ² (1.9G)	
	LED 4 unit		
	LED 5 unit	9.8m/s ² (1.0G)	40~150Hz
	18.6m/s ² (1.9G)		
Insulation resistance	To be measured by an insulation measuring device of 500VDC between the terminals and the chassis. :More than 1M Ω		
Withstand voltage	500VAC being applied between the terminals and the chassis for 1 minute. Not breaking insulation		
Mass	0.25kg \pm 10%	0.28kg \pm 10%	
No. LU7-02. -W18G-1__2			
Remark ●Conforms to the CE requirements. ●Recognized as UL standard. (Standard No.UL508, File No. E215660) ●This product complies with the RoHS Directive.			
PATLITE Corporation			



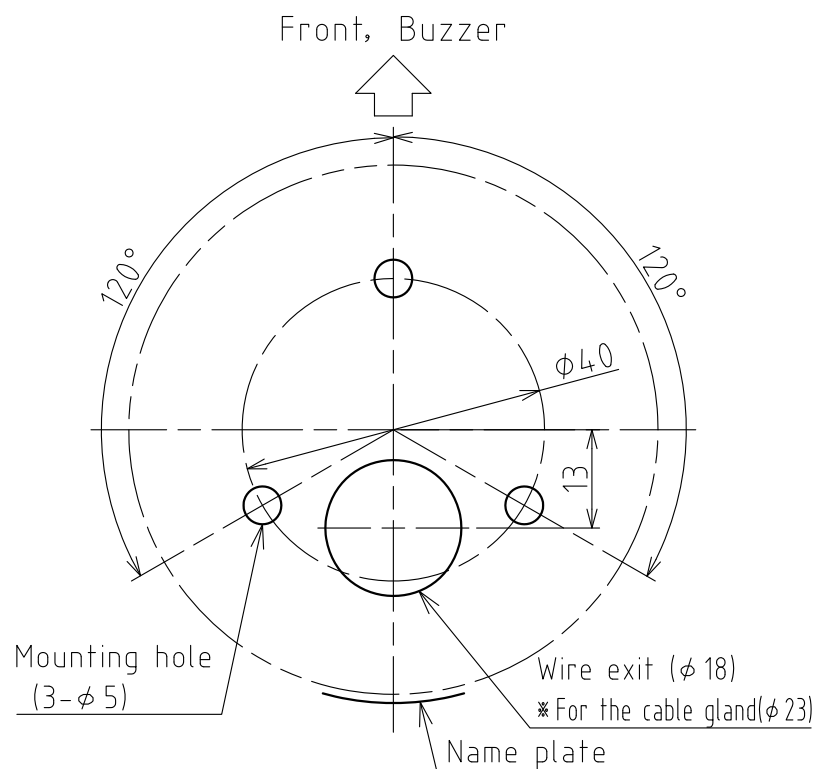
Terminal No. and Wiring example



< Recommended electronic wire >
 Solid wire: 0.14~0.5mm²
 Stranded wire: 0.14~0.5mm² (AWG 26~20)
 (Wire strip: 9mm)

[NOTE]

1. LED unit is available up to 5 units.
2. Use "Class 2 Circuit" for the power supply source.
3. Use the fuse conforming to the rated current of the machine which you install product.



Mounting hole template

LED unit qty.	L [mm]
0	170
1	211
2	252
3	293
4	334
5	375

5	Water proof sheet		1	CR t=1.0	
4	O-ring		2	Silicone rubber φ1.78 Gray	
3	Bracket		1	ABS (Light gray)	
2	Body		1	ABS (Light gray)	
1	Head cover		1	ABS (Light gray)	
番号 No.	部品名 Part Name	品目コード Part No.	数量 Qty.	材料 & 寸法 & 処理 Material & Size & Finish	記事 Remarks

LU7-02(FB)
Outer Dimension Drawing

株式会社 パトライト
PATLITE Corporation

LU7-02.-W18G-2_2