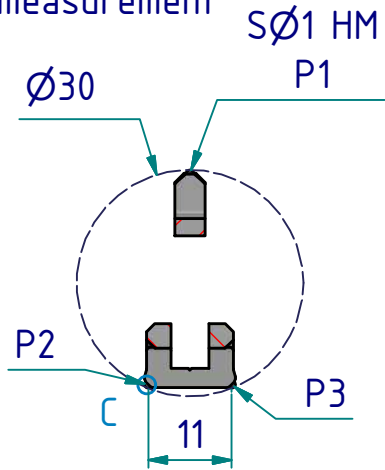
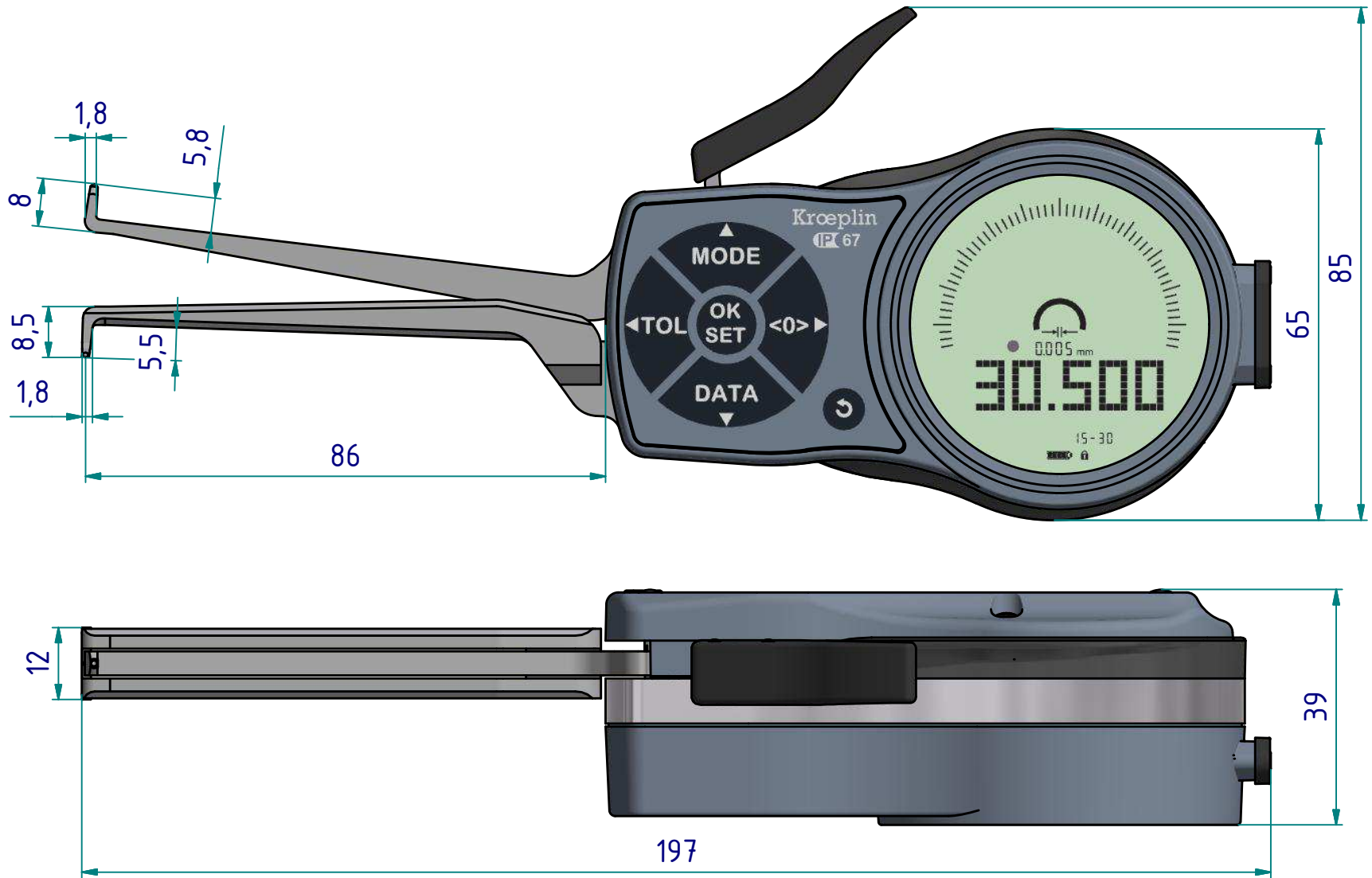
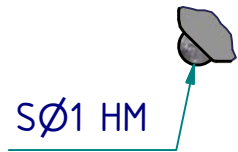


3-point  
measurement



C ( 5 : 1 )



subject to technical alterations

**type:** L - P3  
**range:** 15 - 30 mm  
**range of indication:** 14,5 - 30,5 mm  
**digital step:** 0,005 mm  
**scale interval:** -  
**measuring force:** 1,1 - 1,6 N  
**weight:** 295 g

acceptable deviations  
 VDI/VDE/DGQ 2618 Bl. 12.1/13.1)  
**max. permissible errors "G":** 0,03 mm  
**repeatability "r":** 0,01 mm  
**reference temperature:** 20° C  
**operation temperature:** 10° C - 30° C  
**storage temperature:** -10° C - 50° C

**scale:** 1:1  
**drawing-nr.:** DAB-L215P3-K-e  
  
**revision status:**  
**revision date:**

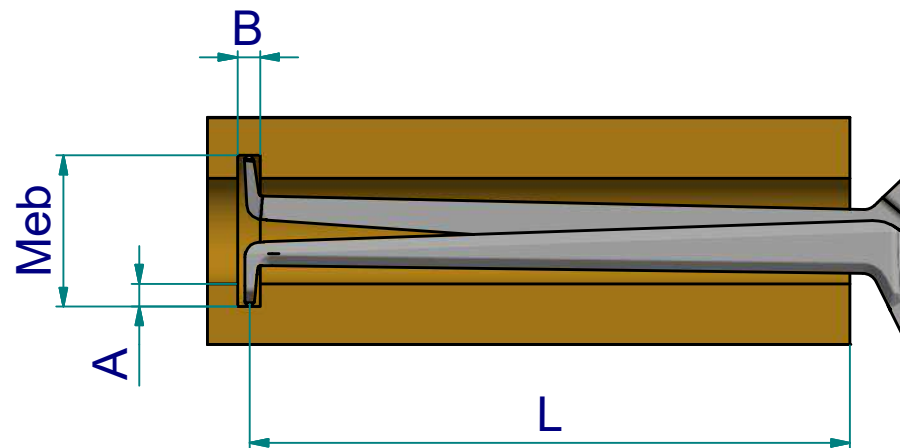
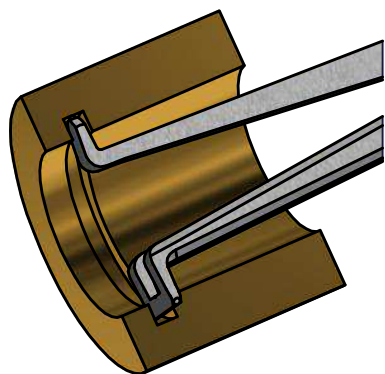
measuring capacity

		measuring range $M_{eb}$ [mm]								
		15	16	18	20	22	24	26	28	30
groove depth A [mm]	0	0 / 73	0 / 73	0 / 74	0 / 75	0 / 75	0 / 76	0 / 76	0 / 77	0 / 77
	1			1,5 / 74	1,5 / 73	1,5 / 73	1,5 / 74	1,5 / 75	1,5 / 75	1,5 / 76
	2				1,7 / 71	1,7 / 72	1,7 / 73	1,6 / 74	1,6 / 74	1,6 / 75
	3					1,8 / 72	1,8 / 73	1,8 / 74	1,8 / 74	1,9 / 75
	4						2,0 / 71	2,1 / 72	2,1 / 73	2,2 / 73
	4,5						2,5 / 68	2,4 / 70	2,3 / 71	2,2 / 73
5							3,2 / 68	3 / 70	2,8 / 71	
		B / L								

B = minimum groove width [mm]

L = maximum usable arm length [mm]

Example:     $M_{eb} = 24$      $B = 1,7$   
     $A = 2$          $L = 73$

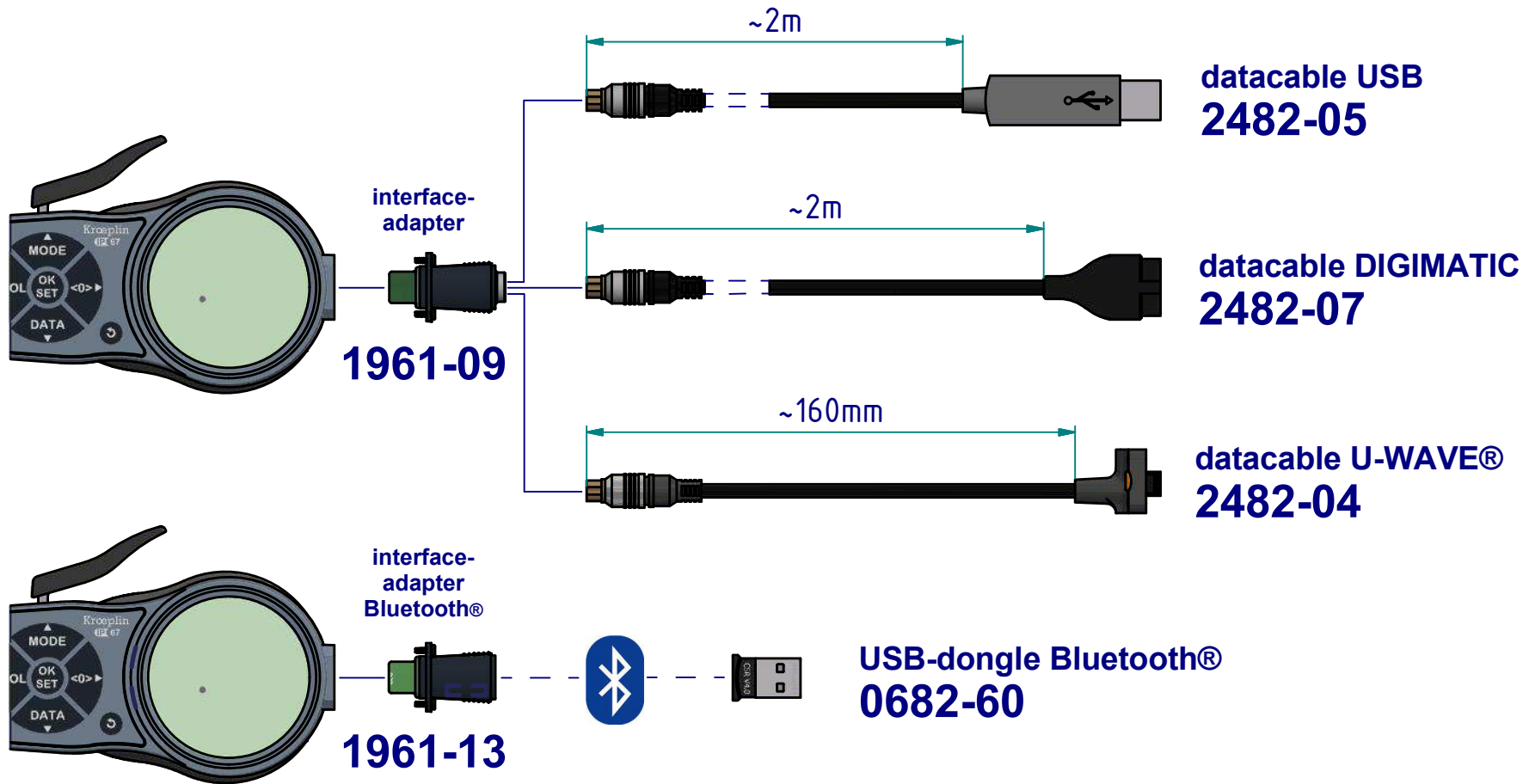


subject to technical alterations

drawing-nr.:            DAB-L215P3-K-e

revision status:  
 revision date:

interface as accessories available:



subject to technical alterations

drawing-nr.: **DAB-L215P3-K-e**

revision status:  
revision date: